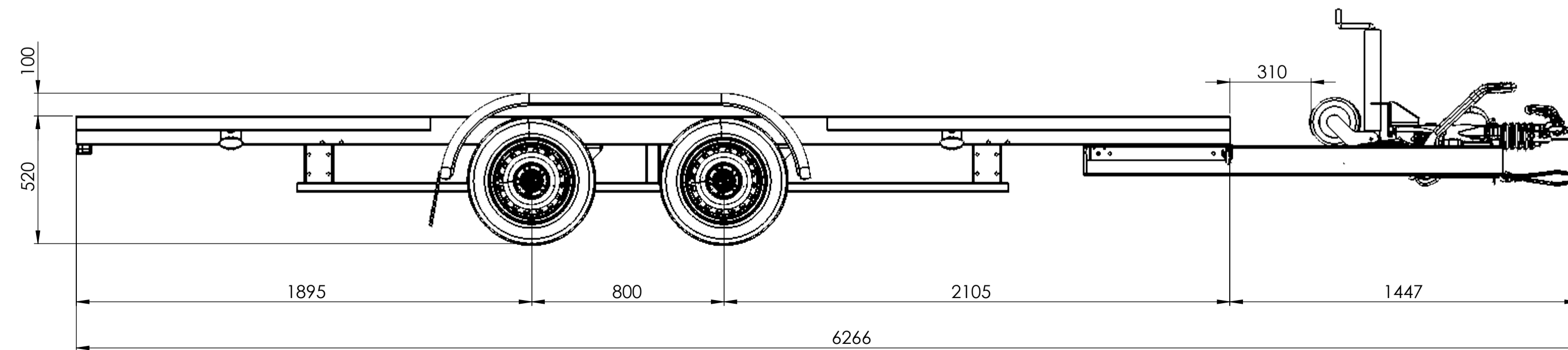
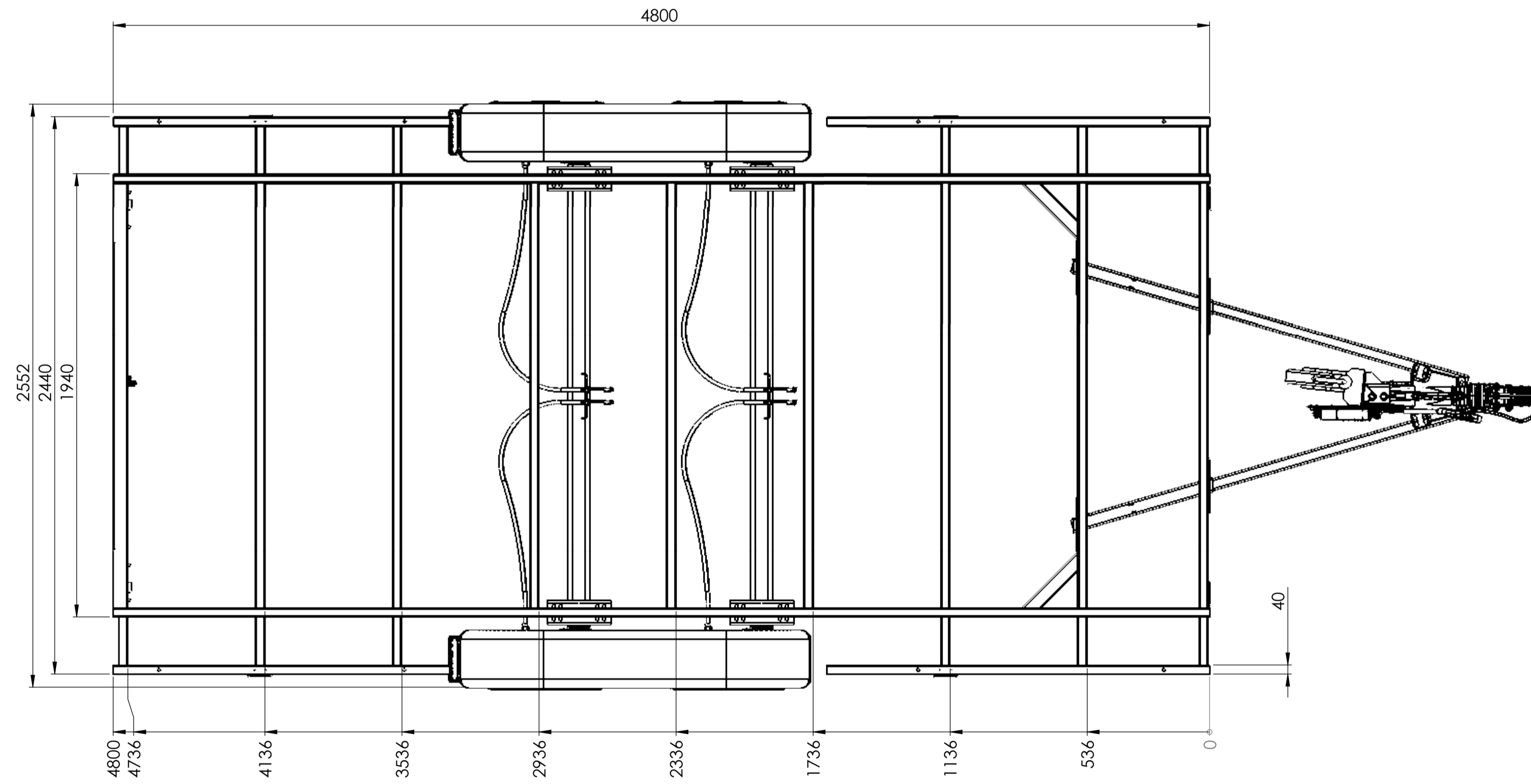


16 15 14 13 12 11 10 9 8 7 6 5 4 3 2 1

M
L
K
J
H
G
F
E
D
C
B
A



©Vlemmix Trailers.
All rights reserved. This drawing and its contents
may not be made accessible and/or duplicated
for others without permission.

TOLERANCE:	DRAWN BY: BV
ISO 2768-MK	DATE: 8-9-2025
PROJECTION:	DESCRIPTION:
UNIT: mm	DRAWING NO.:
SCALE: 1:16	REVISION: -



TH 480 Low Model

SIZE: A1
SHEET: 1/1

16 15 14 13 12 11 10 9 8 7 6 5 4 3 2 1