

16

15

14

13

12

11

10

9

8

7

6

5

4

3

2

1

M

L

K

J

H

G

F

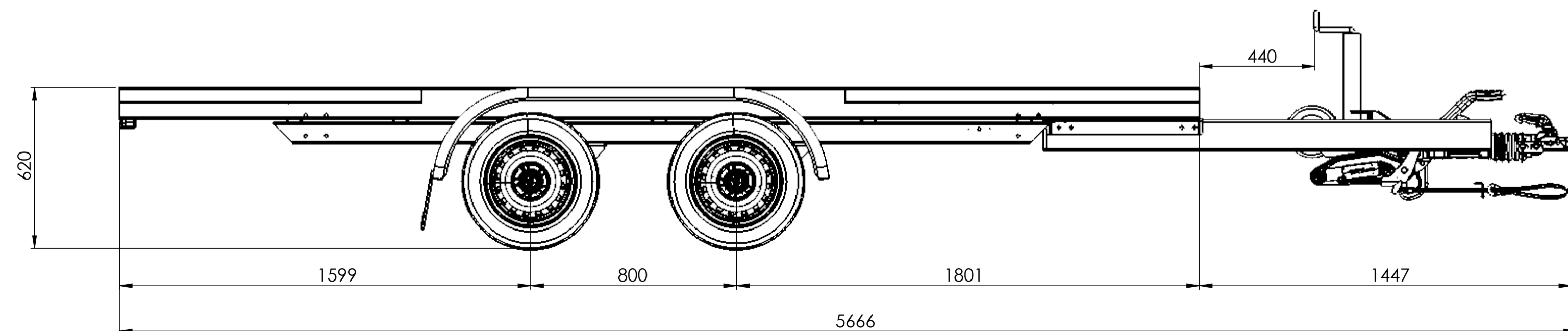
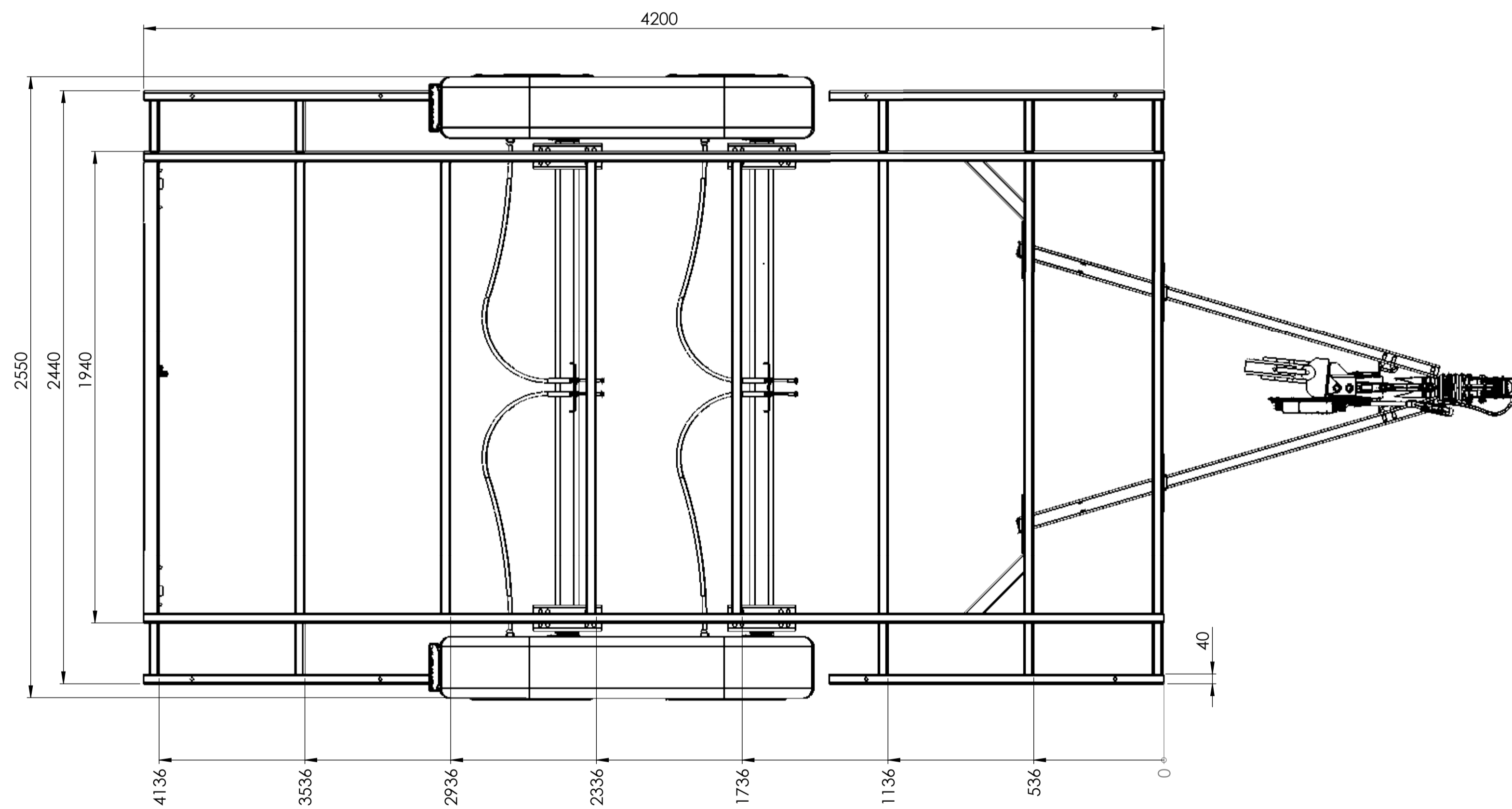
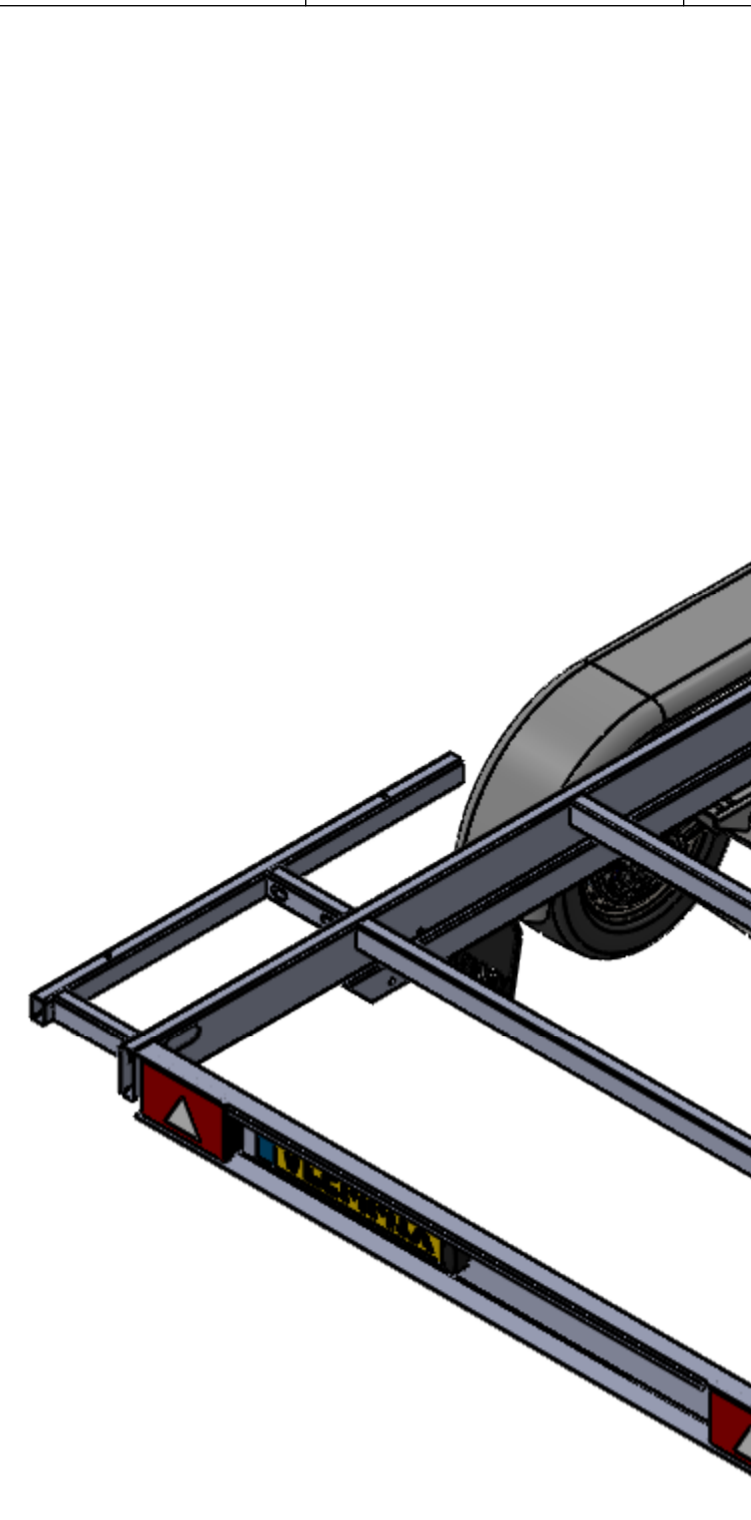
E

D

C

B

A



©Vlemmix Trailers. All rights reserved. This drawing and its contents may not be made accessible and/or duplicated for others without permission.	
TOLERANCE:	DRAWN BY: BV
ISO 2768-MK	DATE: 8-5-2025
PROJECTION:	DESCRIPTION:
UNIT: mm	DRAWING NO.:
SCALE: 1:15	REVISION: -
	SIZE: A1
	SHEET: 1/1



TH 420 Platform

16

15

14

13

12

11

10

9

8

7

6

5

4

3

2

1