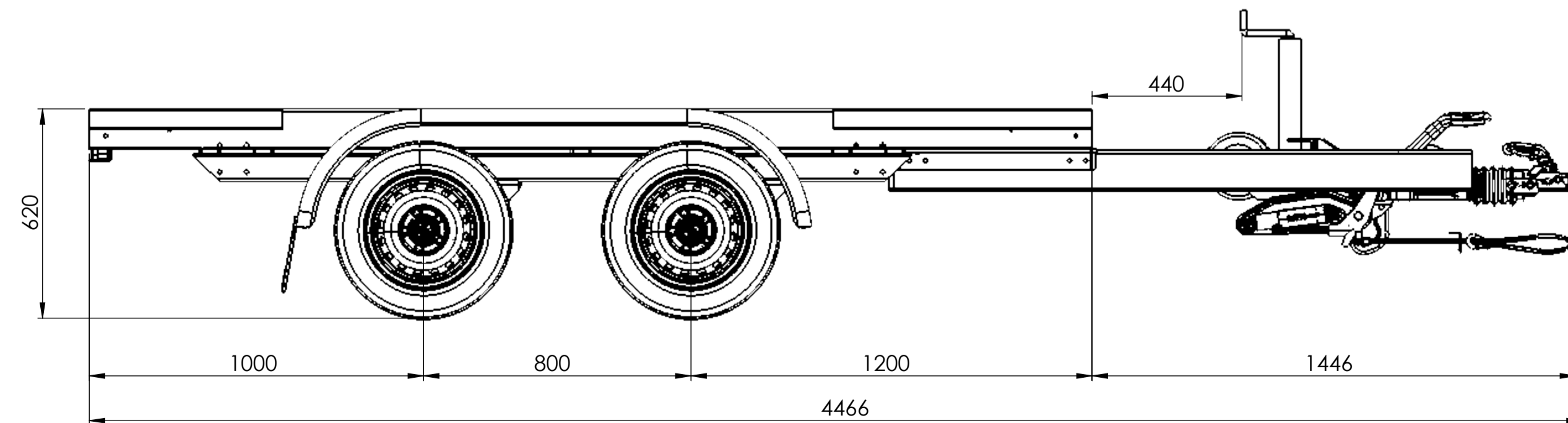
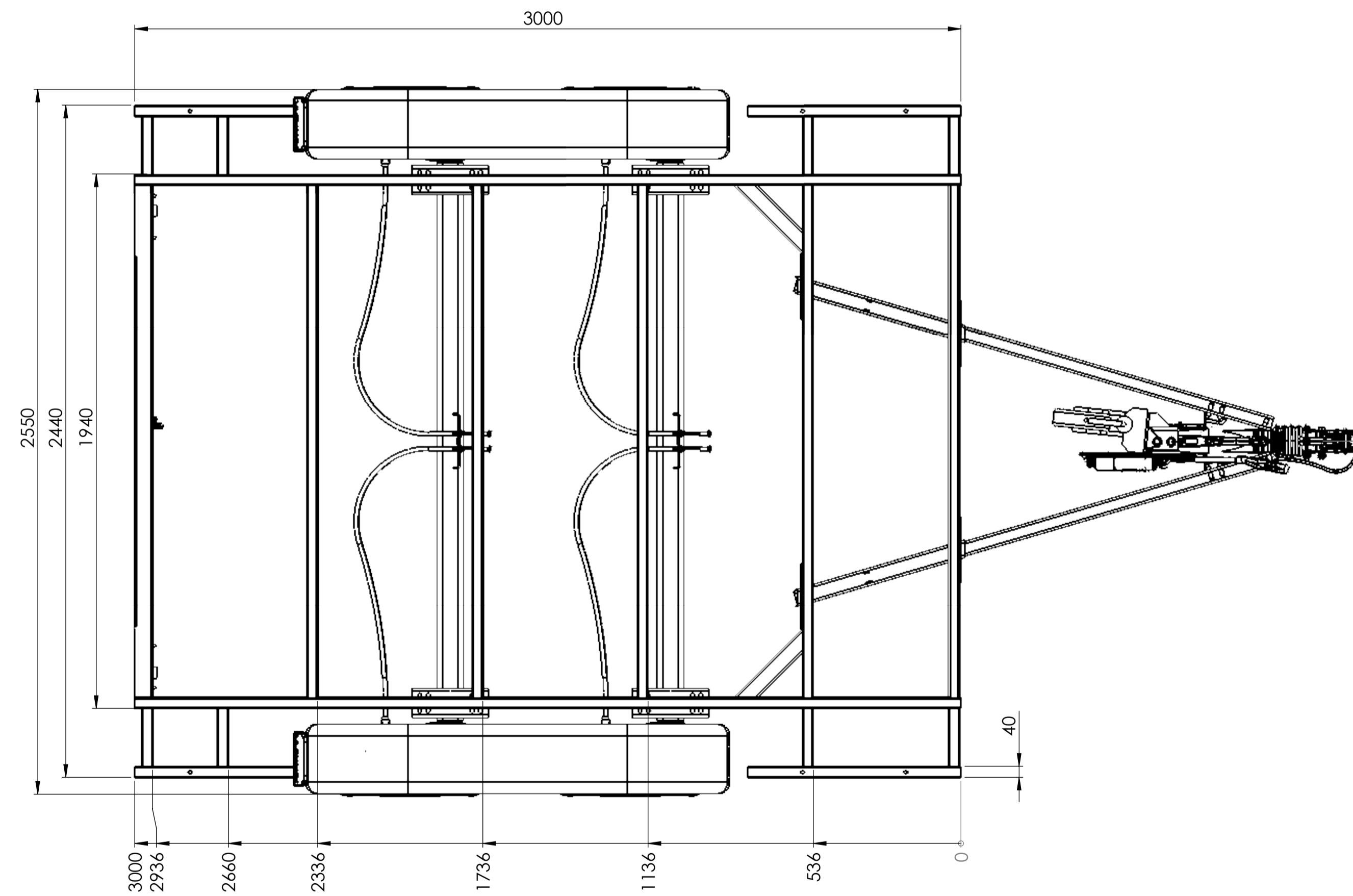
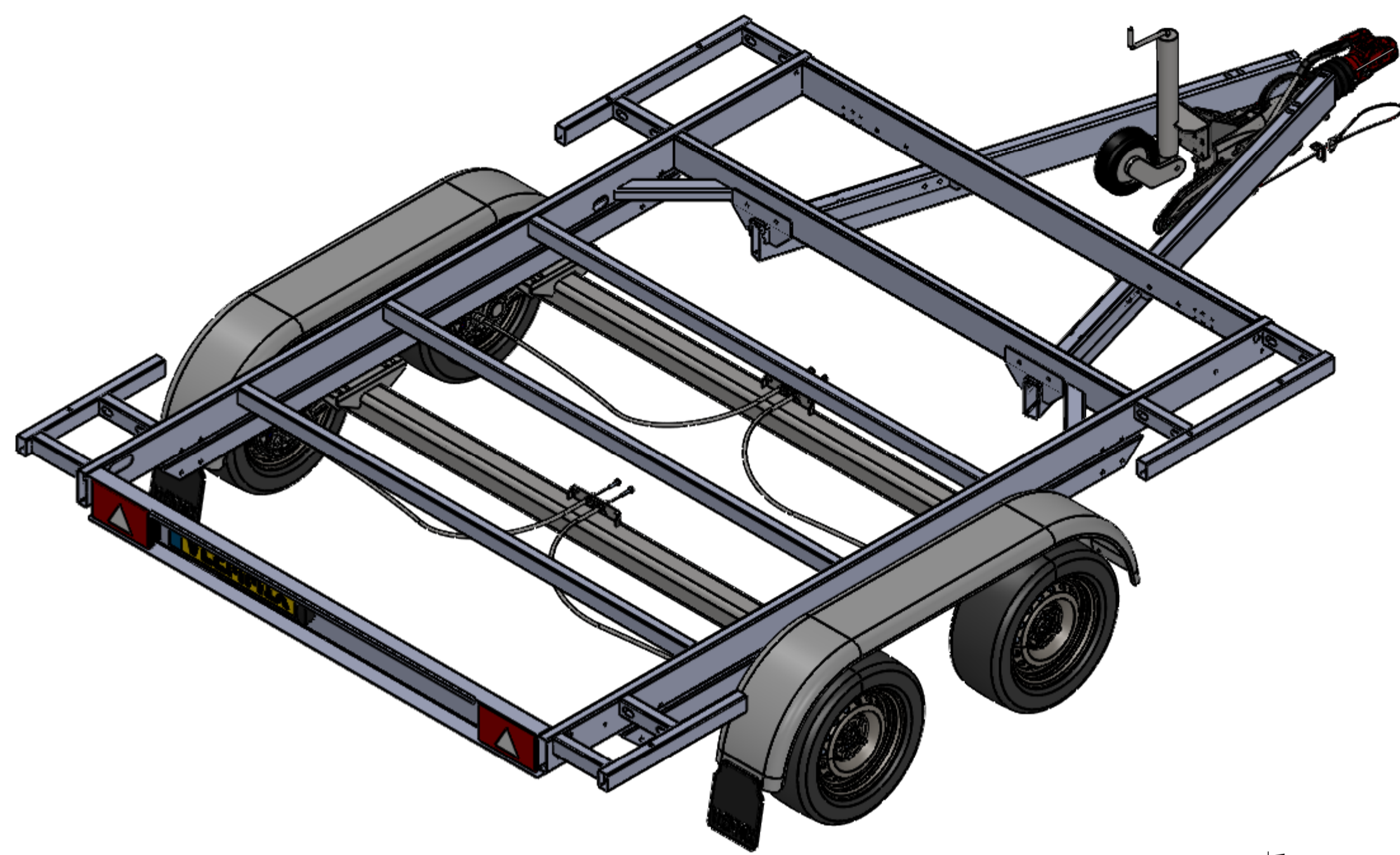


16 15 14 13 12 11 10 9 8 7 6 5 4 3 2 1

M L K J H G F E D C B A



©Vlemmix Trailers.  
All rights reserved. This drawing and its contents  
may not be made accessible and/or duplicated  
for others without permission.

TOLERANCE: DRAWN BY: BV  
ISO 2768-MK DATE: 8-7-2025

PROJECTION:

UNIT: mm  
SCALE: 1:14



DRAWING NO.:	REVISION:	SIZE: A1
TH 300 Platform	-	SHEET: 1/1

16 15 14 13 12 11 10 9 8 7 6 5 4 3 2 1