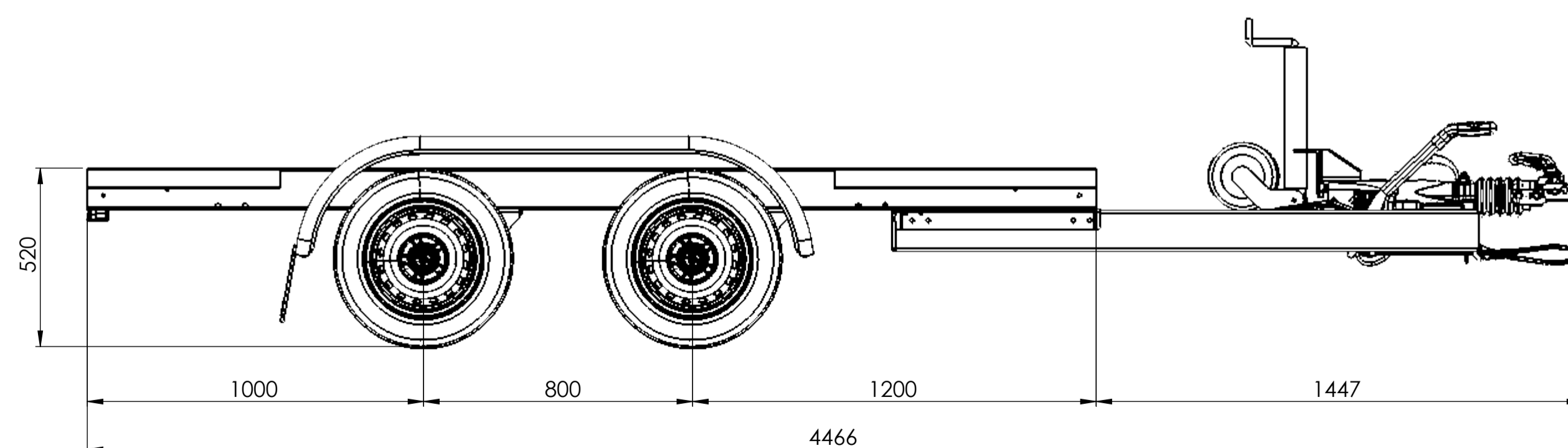
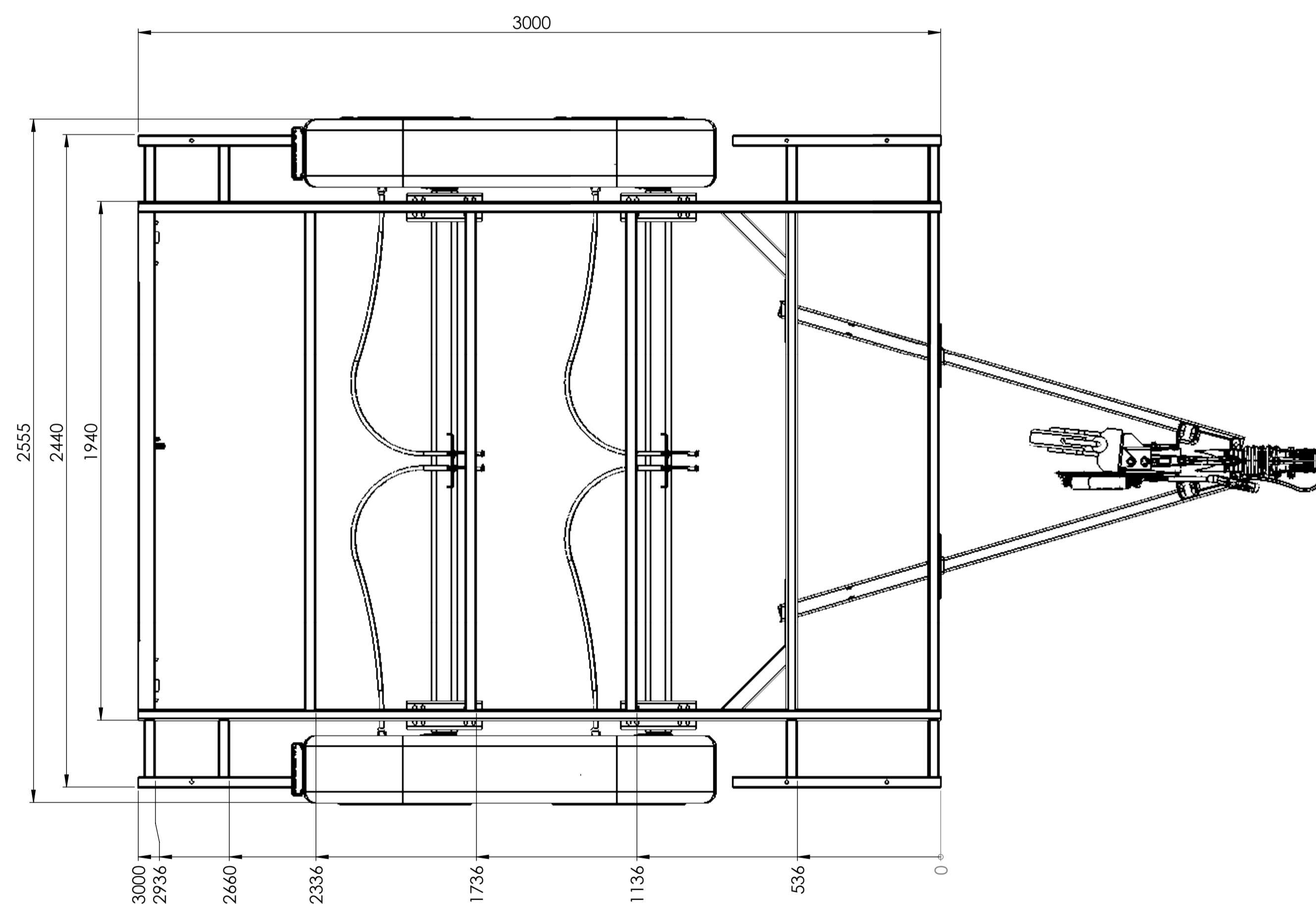
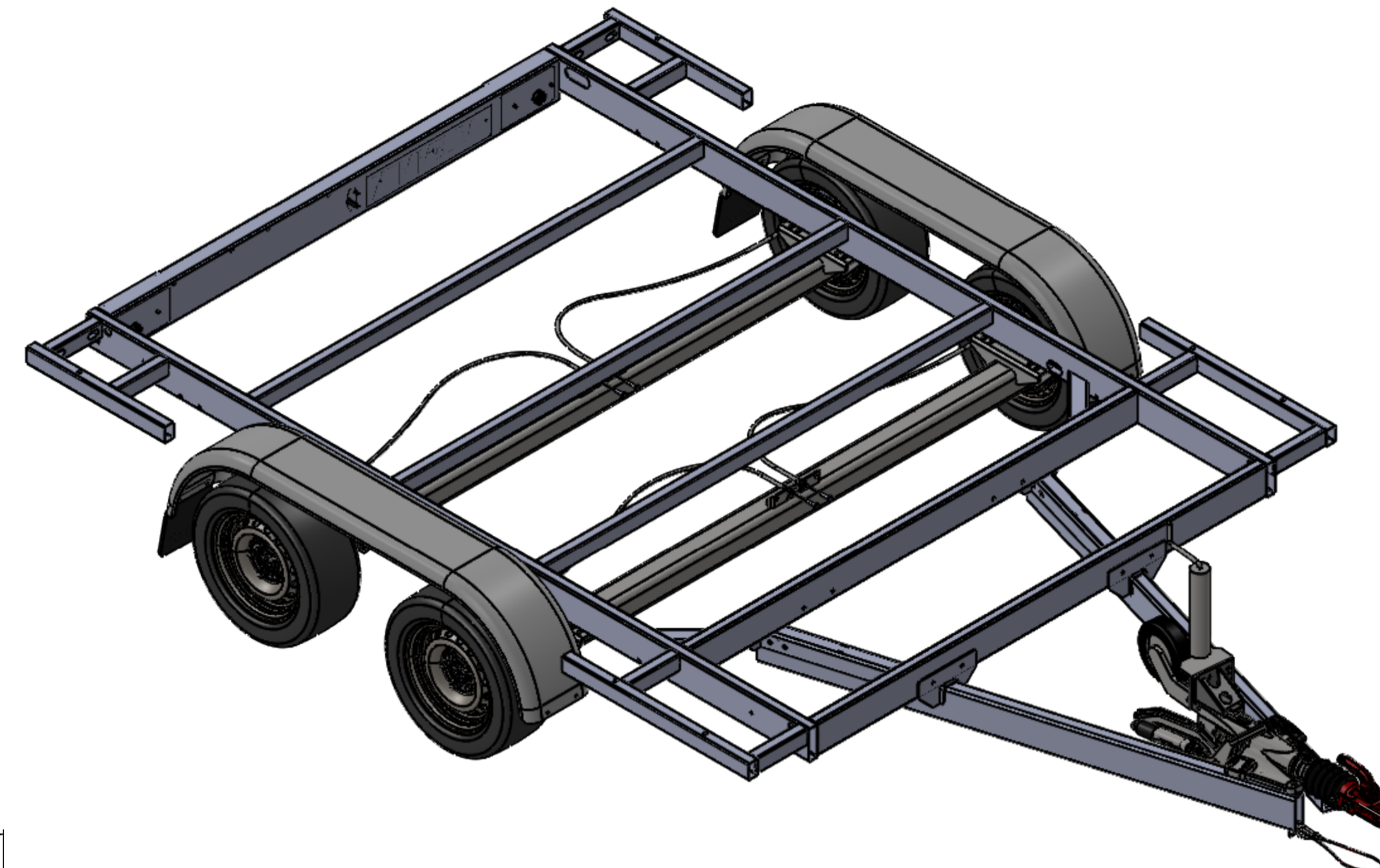
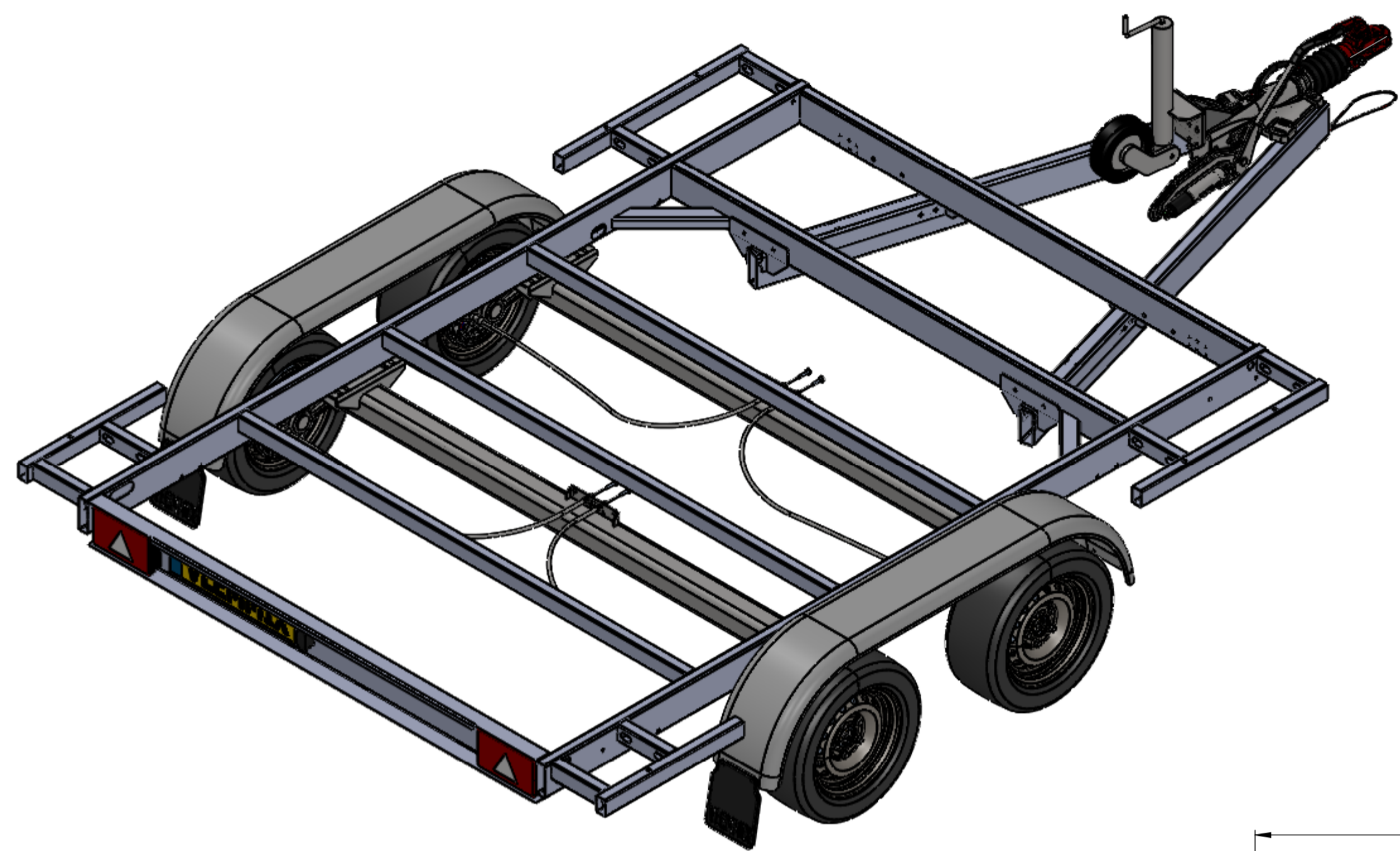


16 15 14 13 12 11 10 9 8 7 6 5 4 3 2 1

M L K J H G F E D C B A



©Vlemmix Trailers.  
All rights reserved. This drawing and its contents may not be made accessible and/or duplicated for others without permission.

TOLERANCE:	DRAWN BY: BV
ISO 2768-MK	DATE: 11-7-2025
PROJECTION:	DESCRIPTION:
UNIT: mm	DRAWING NO.:
SCALE: 1:14	REVISION: -
	SIZE: A1
	SHEET: 1/1



TH 300 Low Model

16 15 14 13 12 11 10 9 8 7 6 5 4 3 2 1