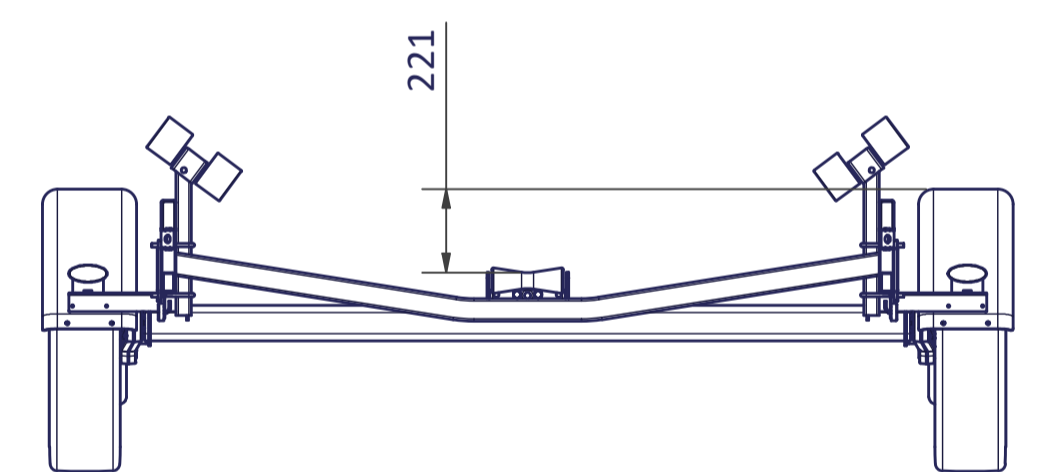
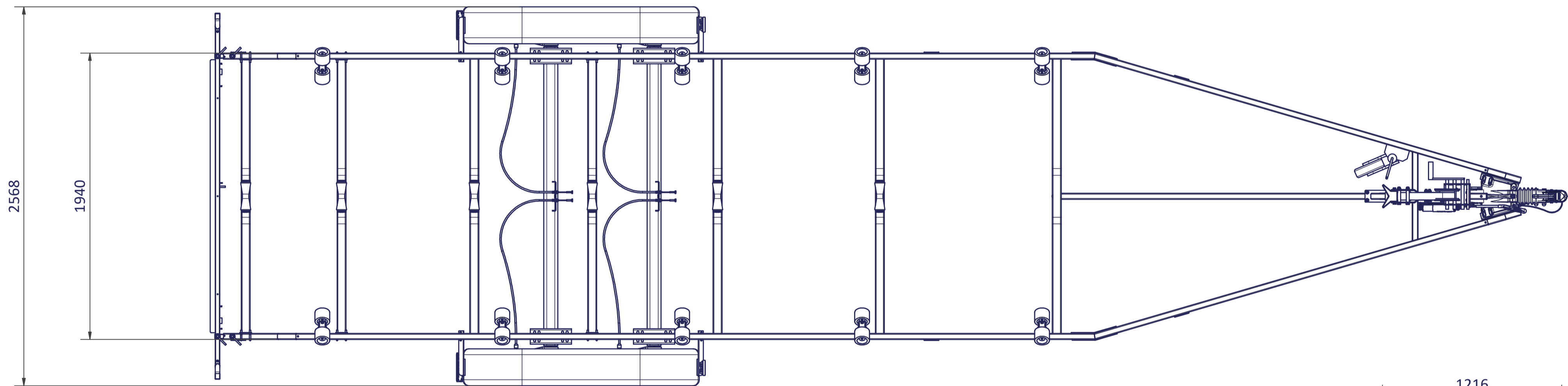
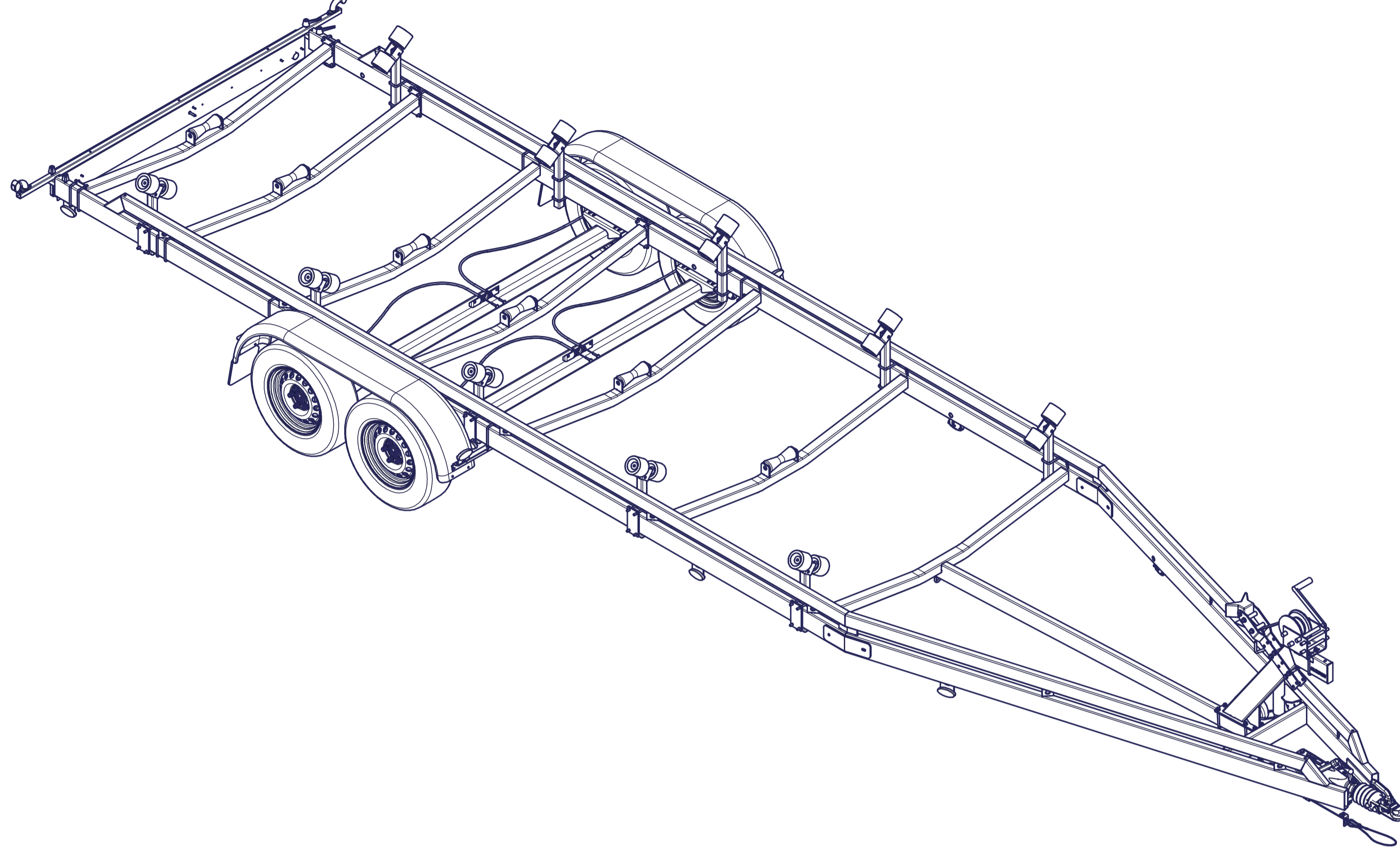
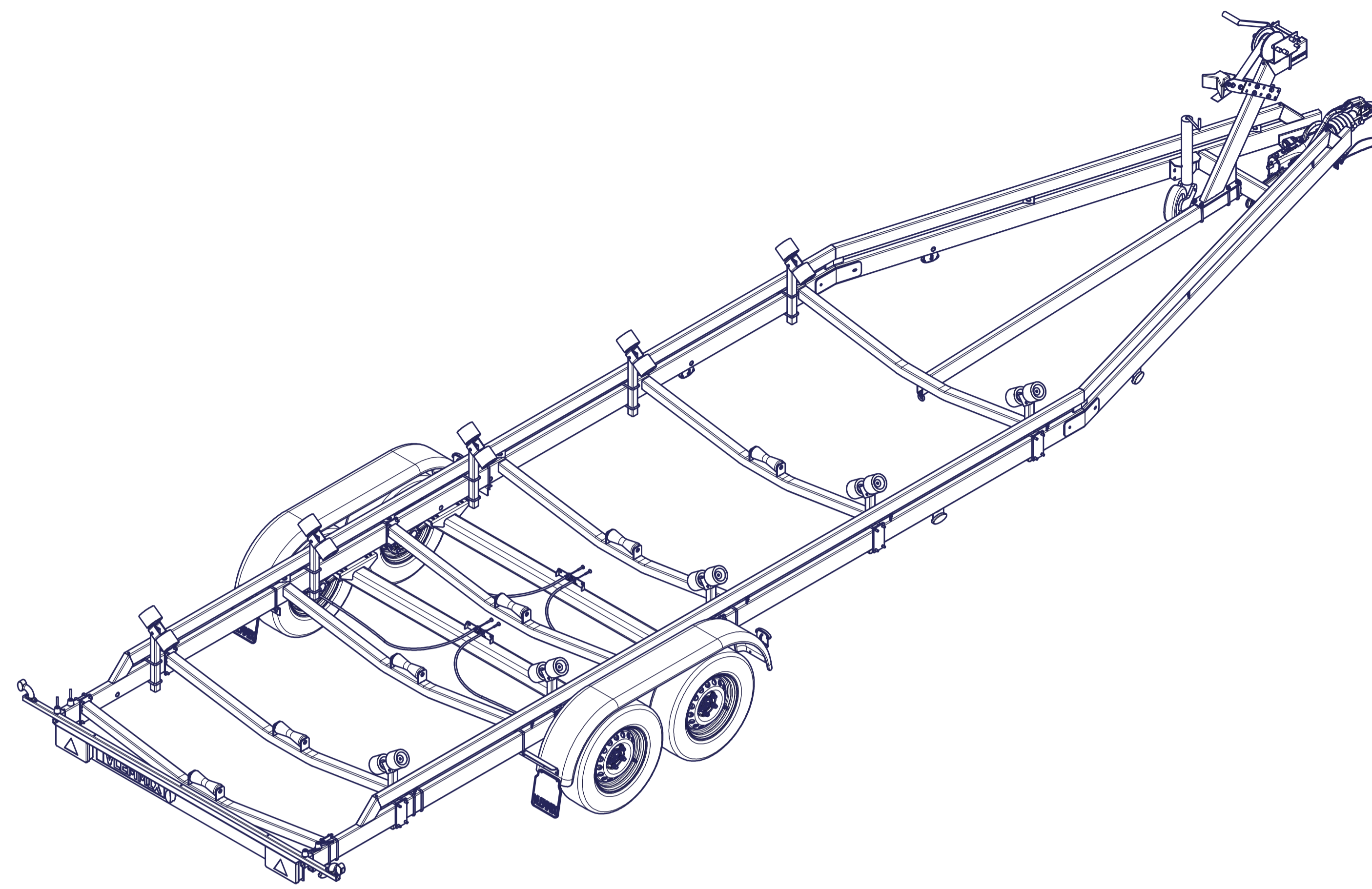


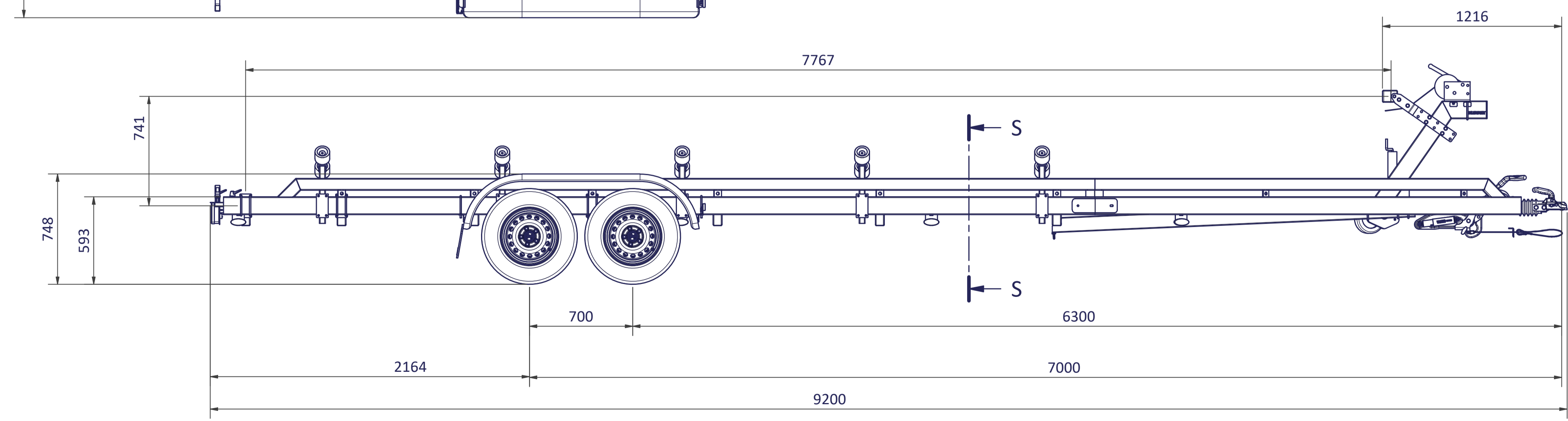
12 11 10 9 8 7 6 5 4 3 2 1



H
G
F
E
D
C
B
A



S-S



BOOTTRAILER 1000

2x AS 1800 kg

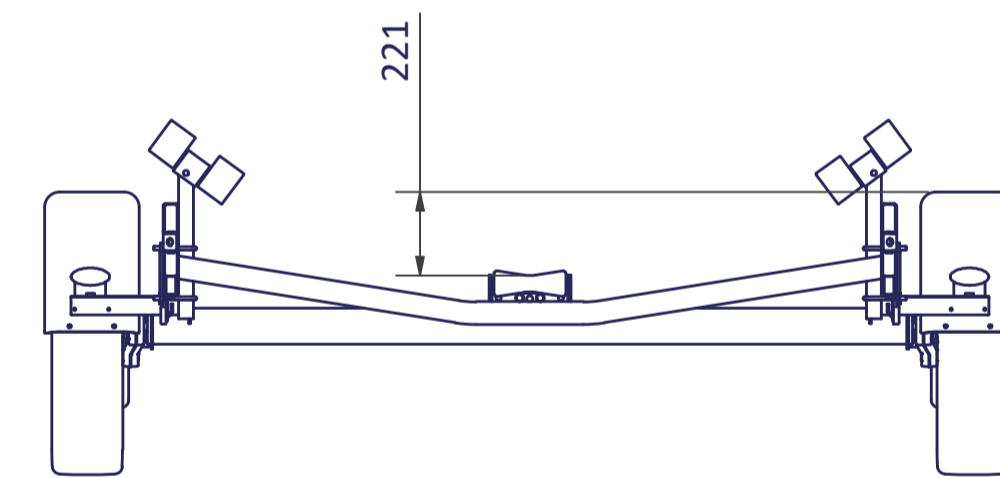
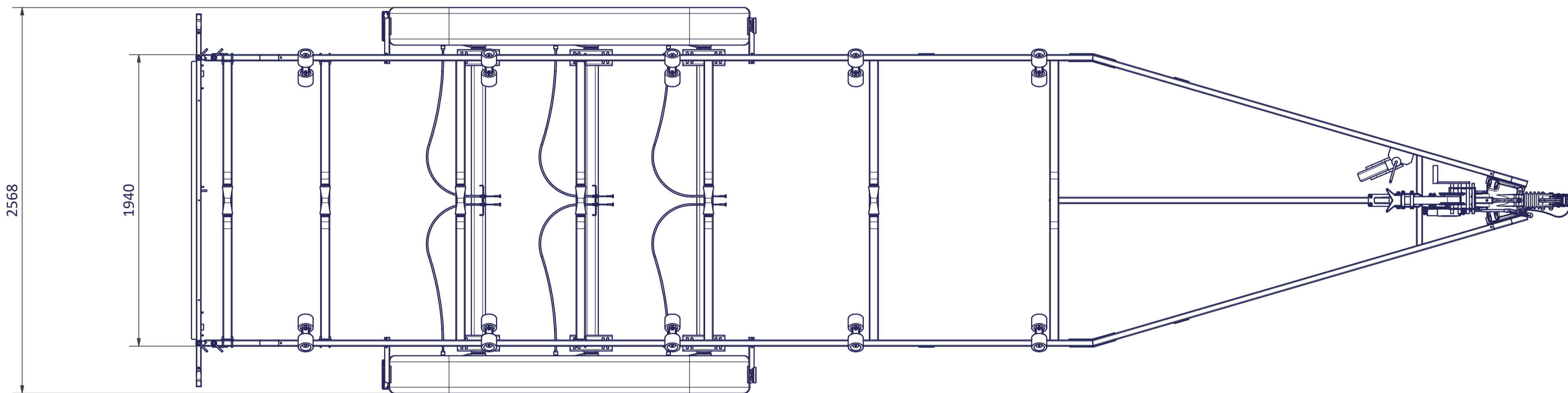
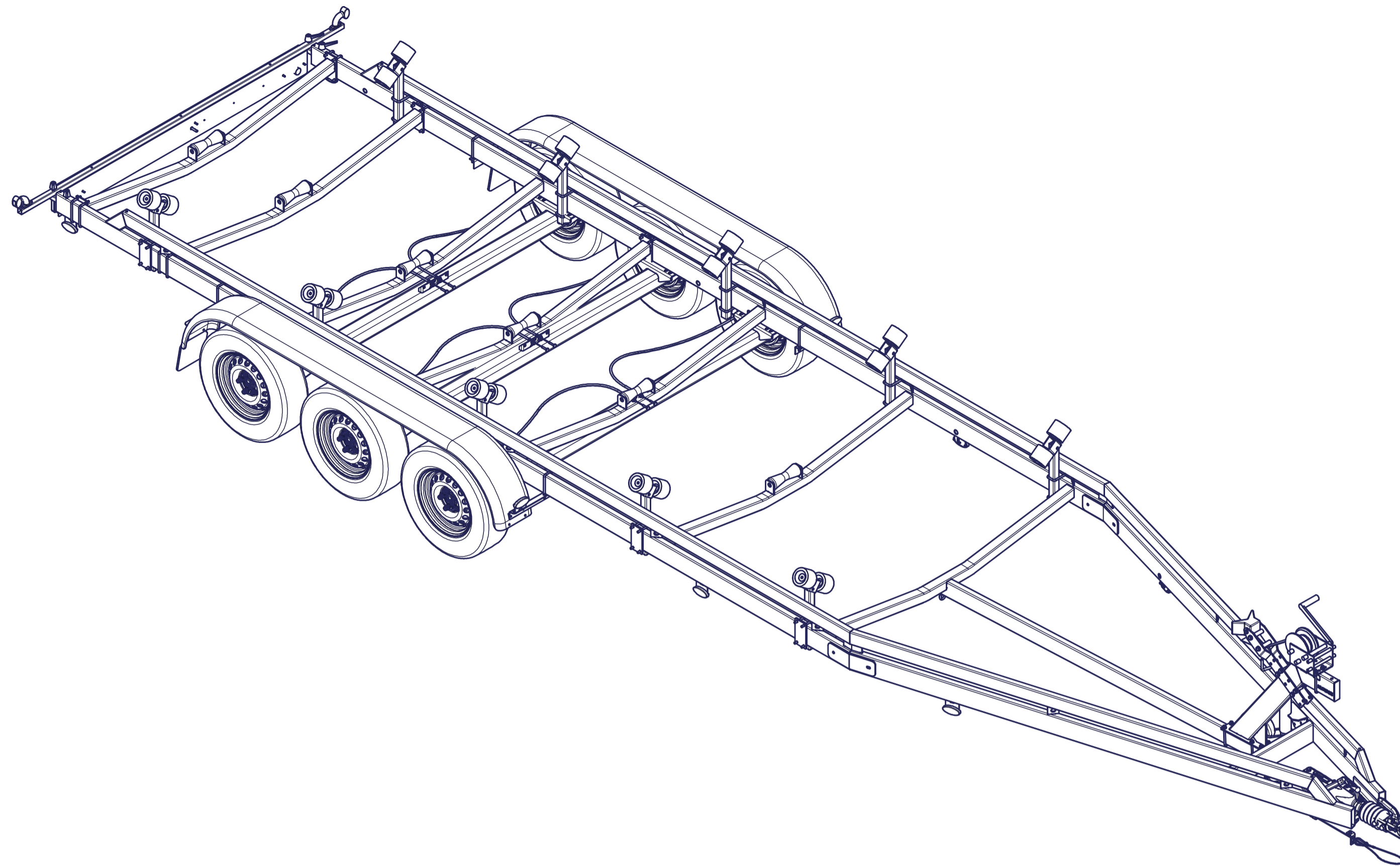
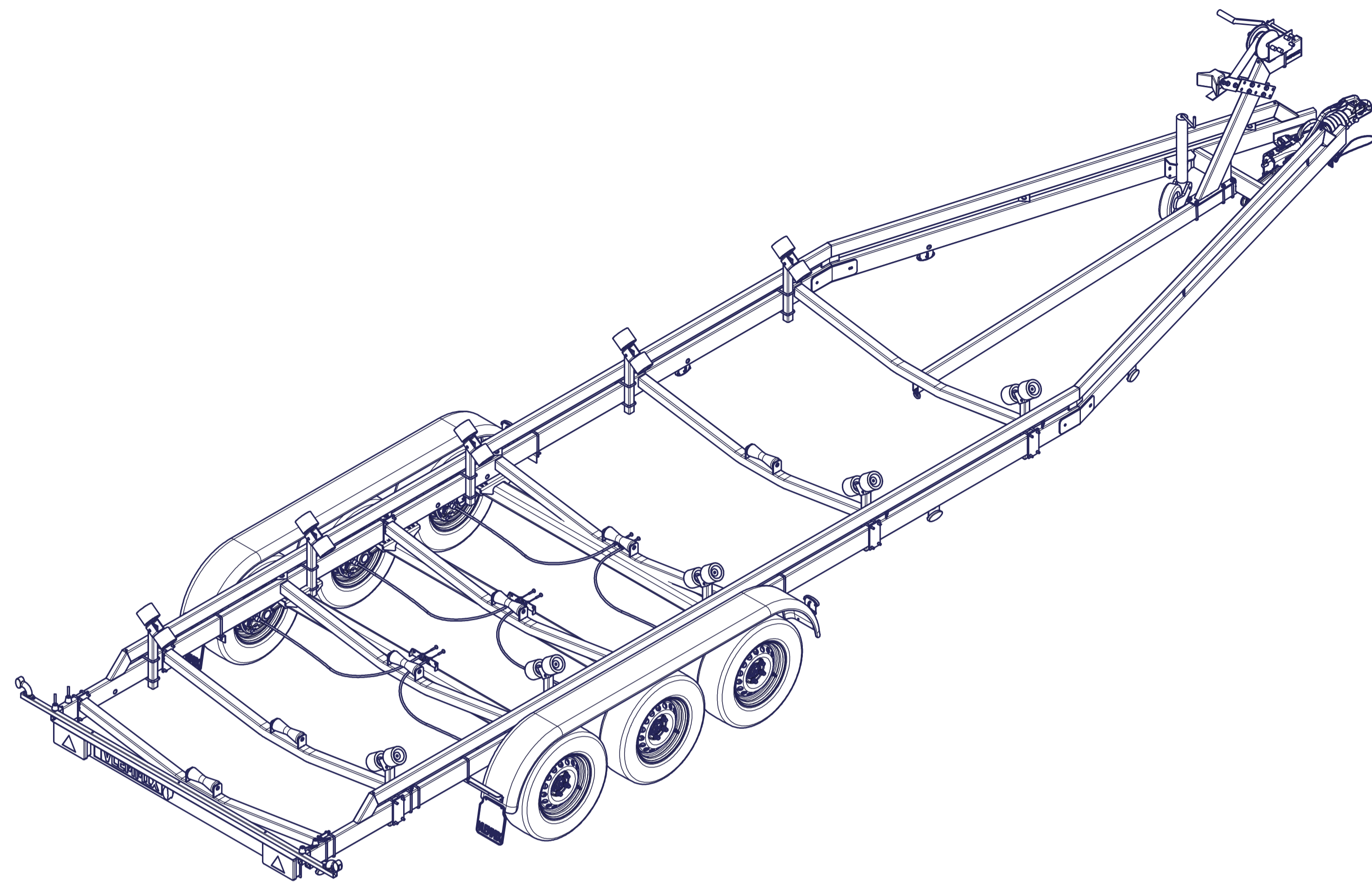
Surface treatment: ZINK PLATED			
QTY:	© VLEMMIX AANHANGWAGENS This drawing and its contents may not be made accessible and/or duplicated for others without permission. All rights reserved.		
TOLERANCE:	UNIT:	DRAWN BY:	J.H.
ISO 2768-MK	mm	DATE:	22-9-2021
PROJECT/DRAWING NO.:		BT9.2-071-00	
SCALE:	DESCRIPTION:	SHEET:	1
A1 1 : 20	BOOTTRAILER 10 M	SHEETS:	2

12 11 10 9 8 7 6 5 4 3 2 1

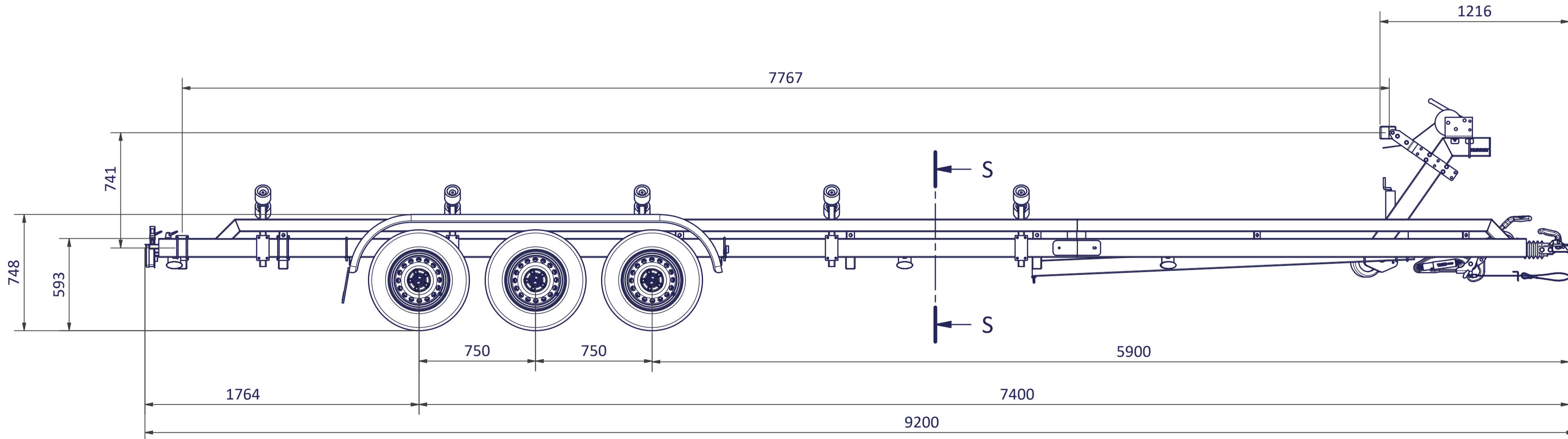


12 11 10 9 8 7 6 5 4 3 2 1

H
G
F
E
D
C
B
A



S-S



BOOTTRAILER 920

3x AS 1500/1800 kg

Surface treatment: ZINK PLATED	
QTY:	© VLEMMIX AANHANGWAGENS This drawing and its contents may not be made accessible and/or duplicated for others without permission. All rights reserved.
TOLERANCE:	UNIT: DRAWN BY: J.H.
ISO 2768-MK	DATE: 22-9-2021
PROJECT/DRAWING NO.: BT9.2-071-00	
SCALE:	DESCRIPTION: BOOTTRAILER 10 M
A1	1 : 20
SHEET: 2	
SHEETS: 2	

12 11 10 9 8 7 6 5 4 3 2 1

