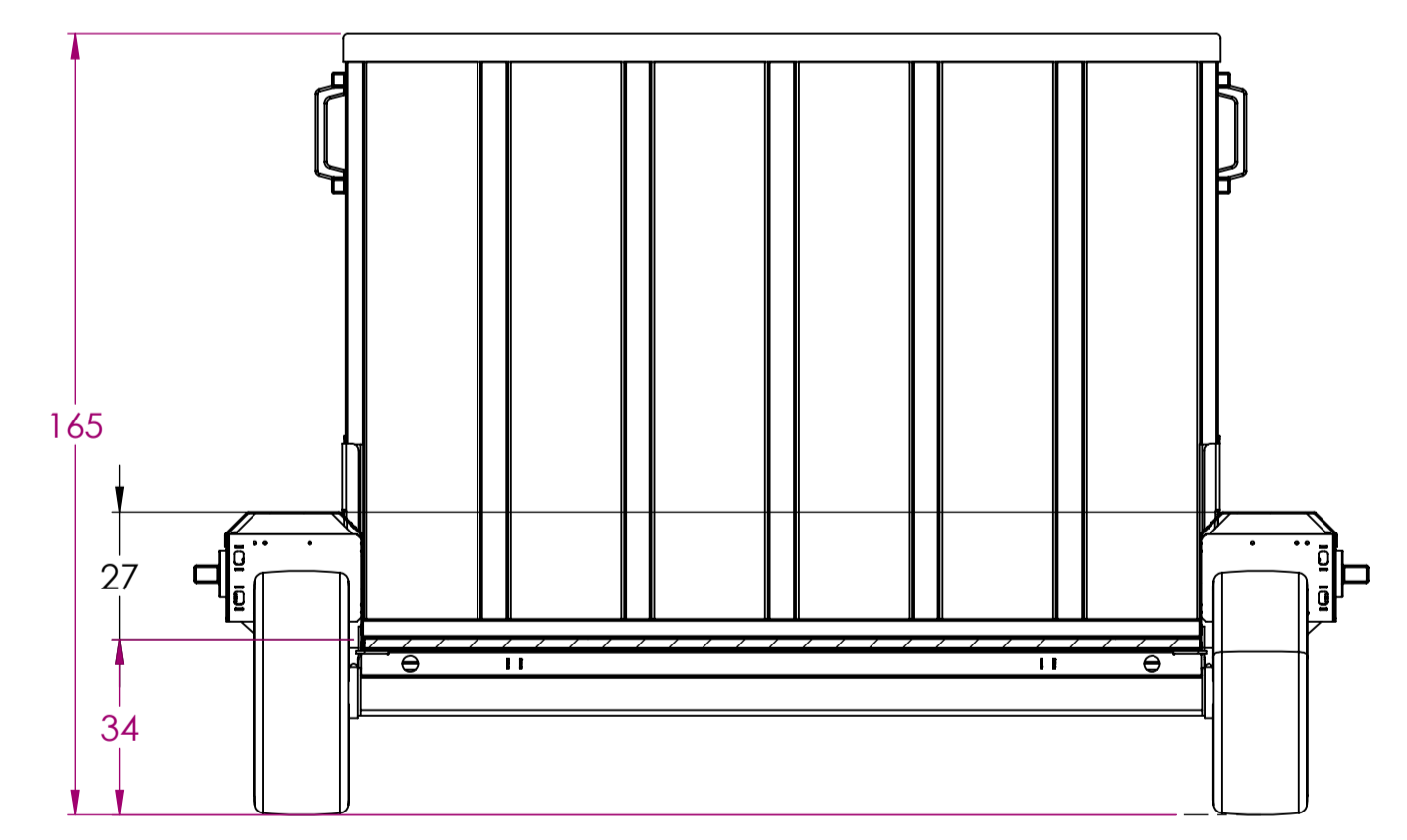
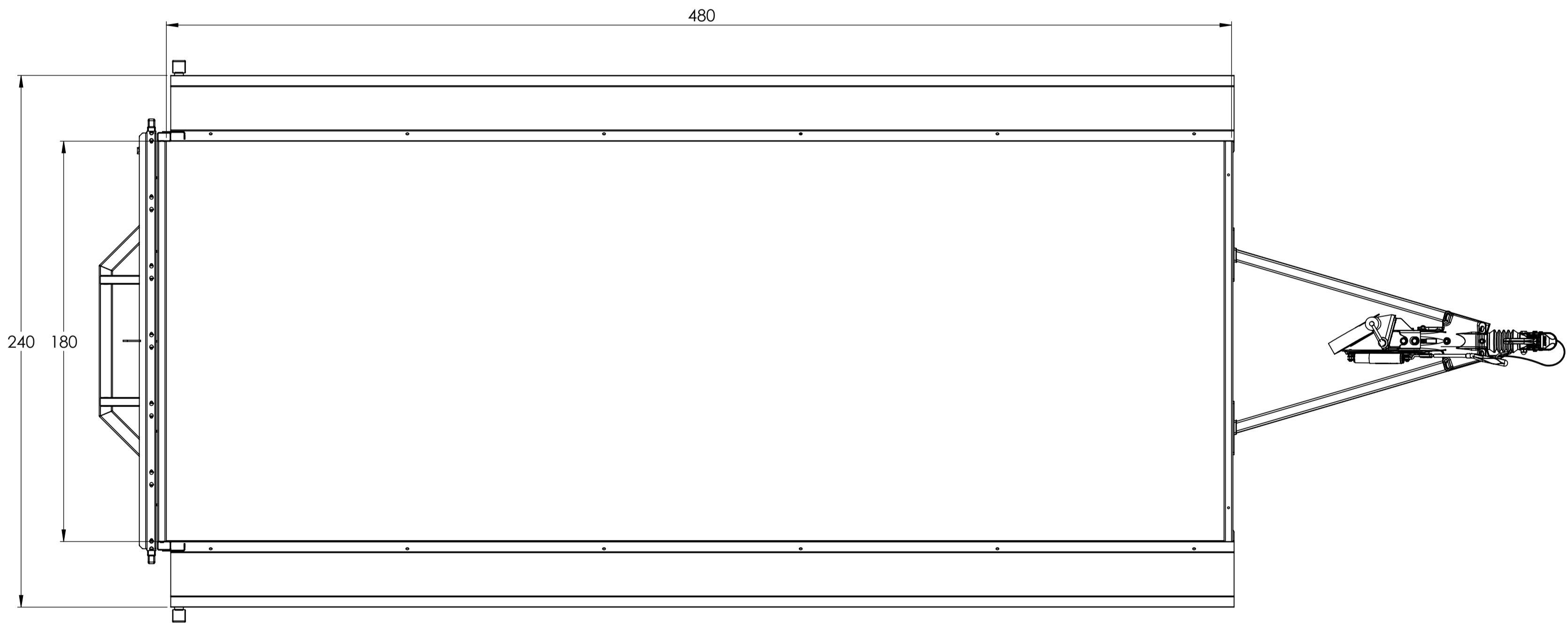
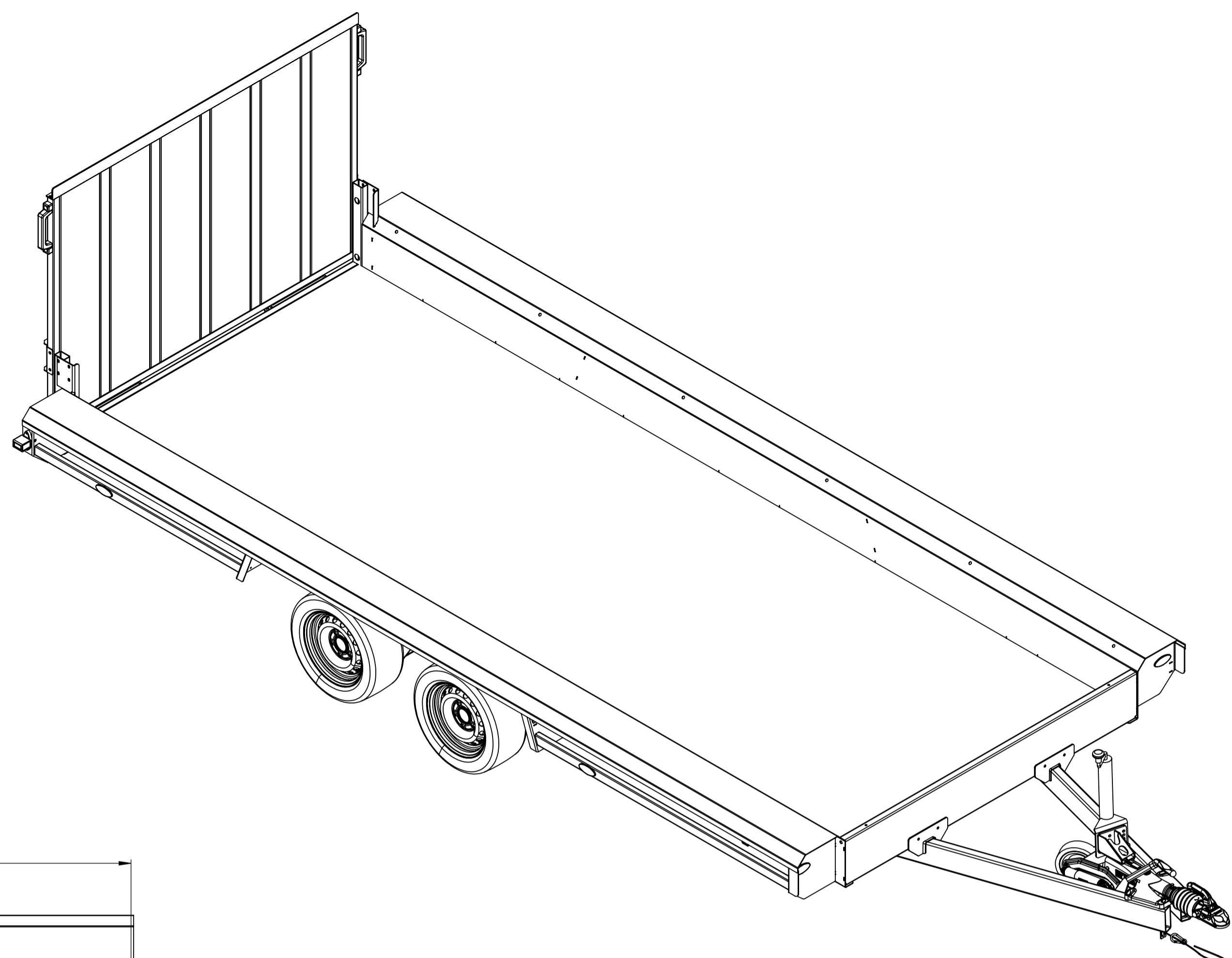
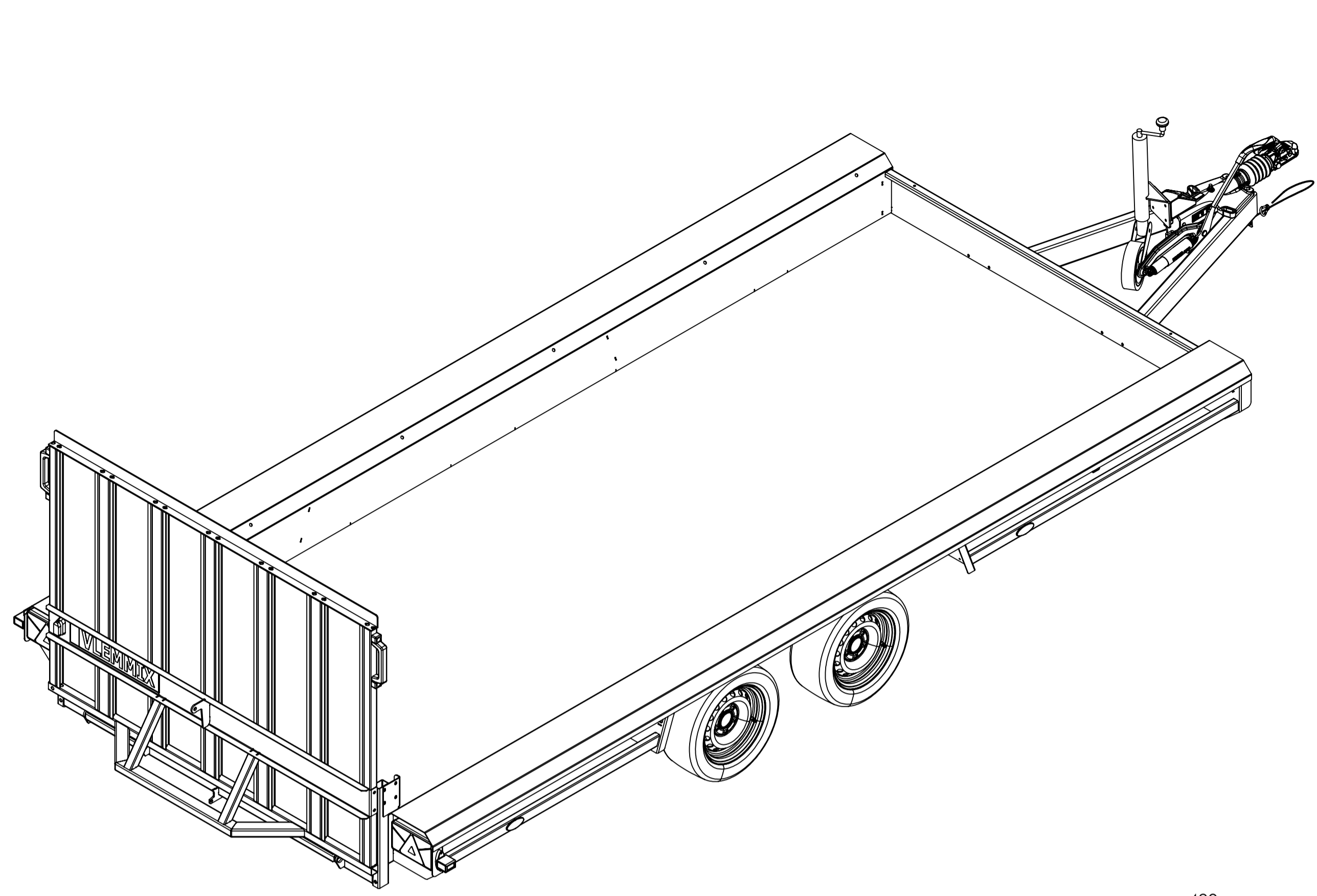
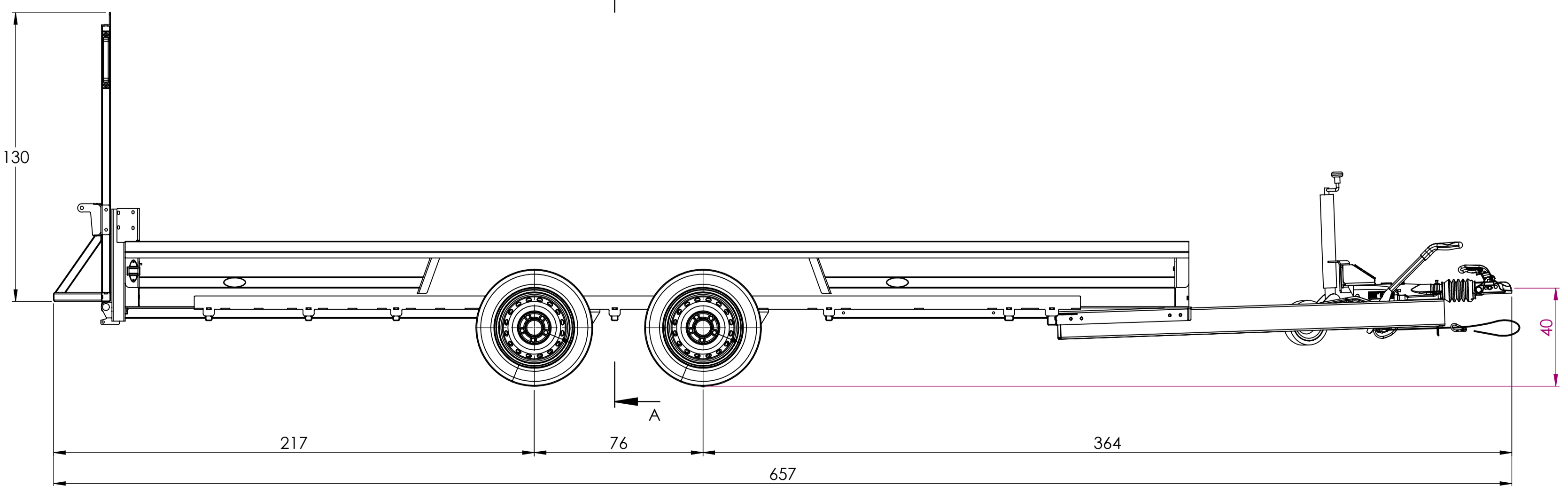


16 15 14 13 12 11 10 9 8 7 6 5 4 3 2 1

M L K J H G F E D C B A



SECTION A-A



©Vlemmix Trailers. All rights reserved. This drawing and its contents may not be made accessible and/or duplicated for others without permission.	
TOLERANCE:	DRAWN BY: BV
ISO 2768-MK	DATE: 20-5-2026
PROJECTION:	DESCRIPTION:
UNIT: mm	DRAWING NO.: MT4.8
SCALE: 1:16	REVISION: -
	SIZE: A1
	SHEET: 1/2



16 15 14 13 12 11 10 9 8 7 6 5 4 3 2 1