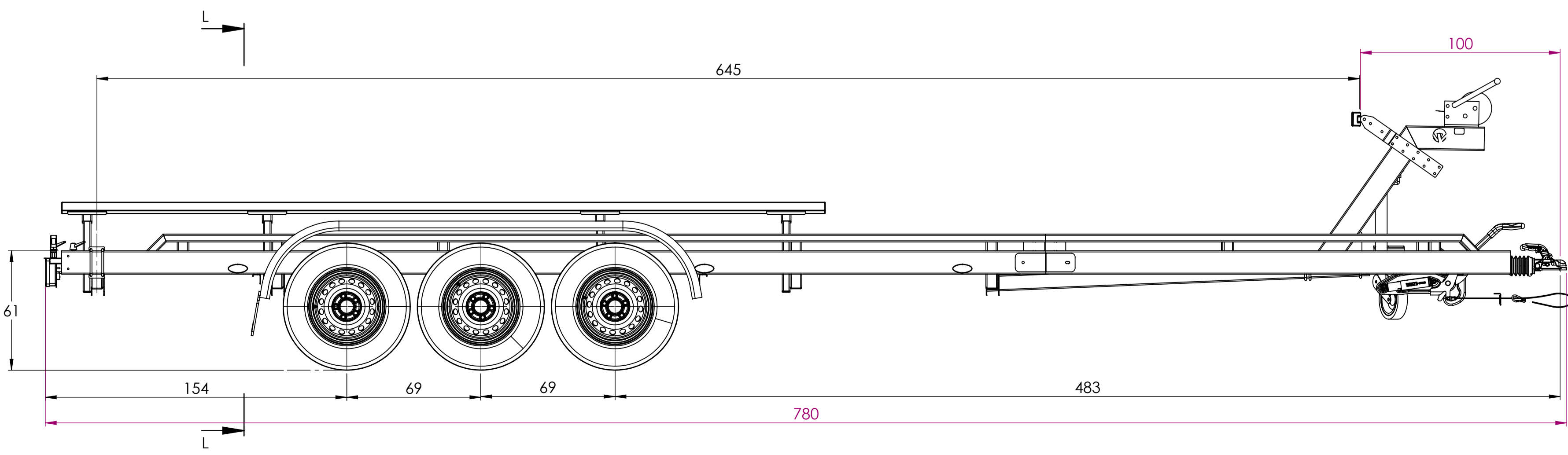


SECTION L-L



# BUNK TRAILER 780

3x AS 1350/1500/1800 kg

©Vlemmix Trailers. All rights reserved. This drawing and its contents may not be made accessible and/or duplicated for others without permission.	
TOLERANCE: ISO 2768-MK	DRAWN BY: BV
PROJECTION:	DATE: 6-5-2026
UNIT: mm	DESCRIPTION:
SCALE: 1:17	DRAWING NO.:



BT-7.8

REVISION: -	SIZE: A1
	SHEET: 3/10