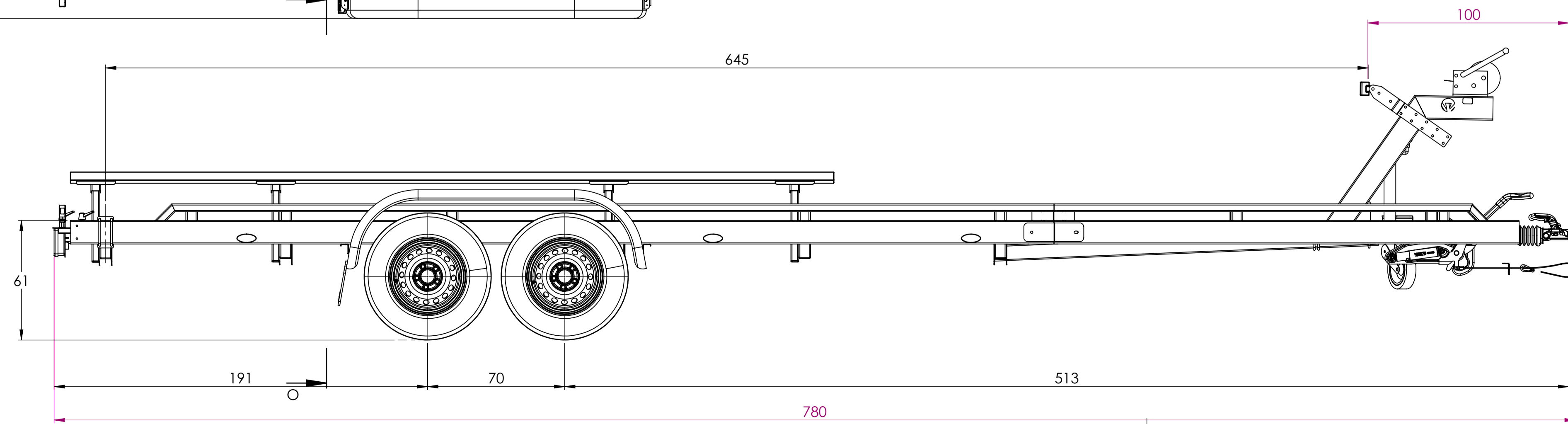


SECTION O-O

# BUNK TRAILER 780

2x AS 1350/1500/1800 kg



©Vlemmix Trailers. All rights reserved. This drawing and its contents may not be made accessible and/or duplicated for others without permission.	
TOLERANCE: ISO 2768-MK	DRAWN BY: BV
PROJECTION:	DATE: 6-5-2026
UNIT: mm	DESCRIPTION:
SCALE: 1:16	DRAWING NO.: BT-7.8



REVISION: -	SIZE: A1
	SHEET: 8/10