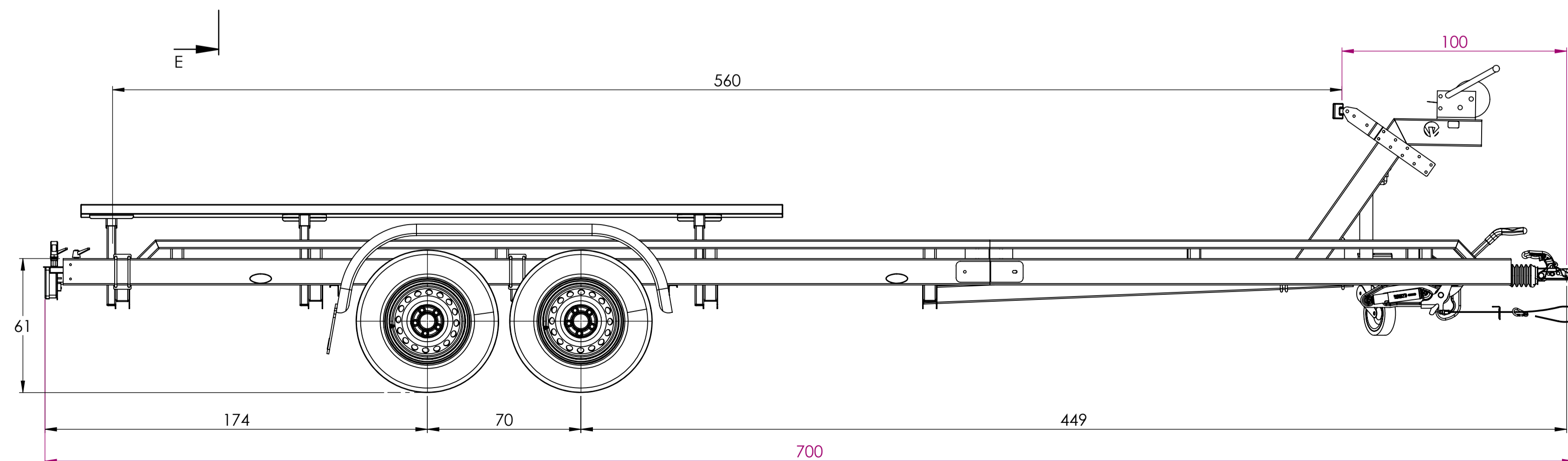


SECTION E-E



BUNK TRAILER 700

2X 1350/1500/1800

©Vlemmix Trailers. All rights reserved. This drawing and its contents may not be made accessible and/or duplicated for others without permission.	
TOLERANCE: ISO 2768-MK	DRAWN BY: BV
PROJECTION:	DATE: 6-5-2026
UNIT: mm	DESCRIPTION: BOOTTRAILER 7.0 M
SCALE: 1:16	DRAWING NO.: BT-7.0



REVISION: -	SIZE: A1
SHEET: 4/10	