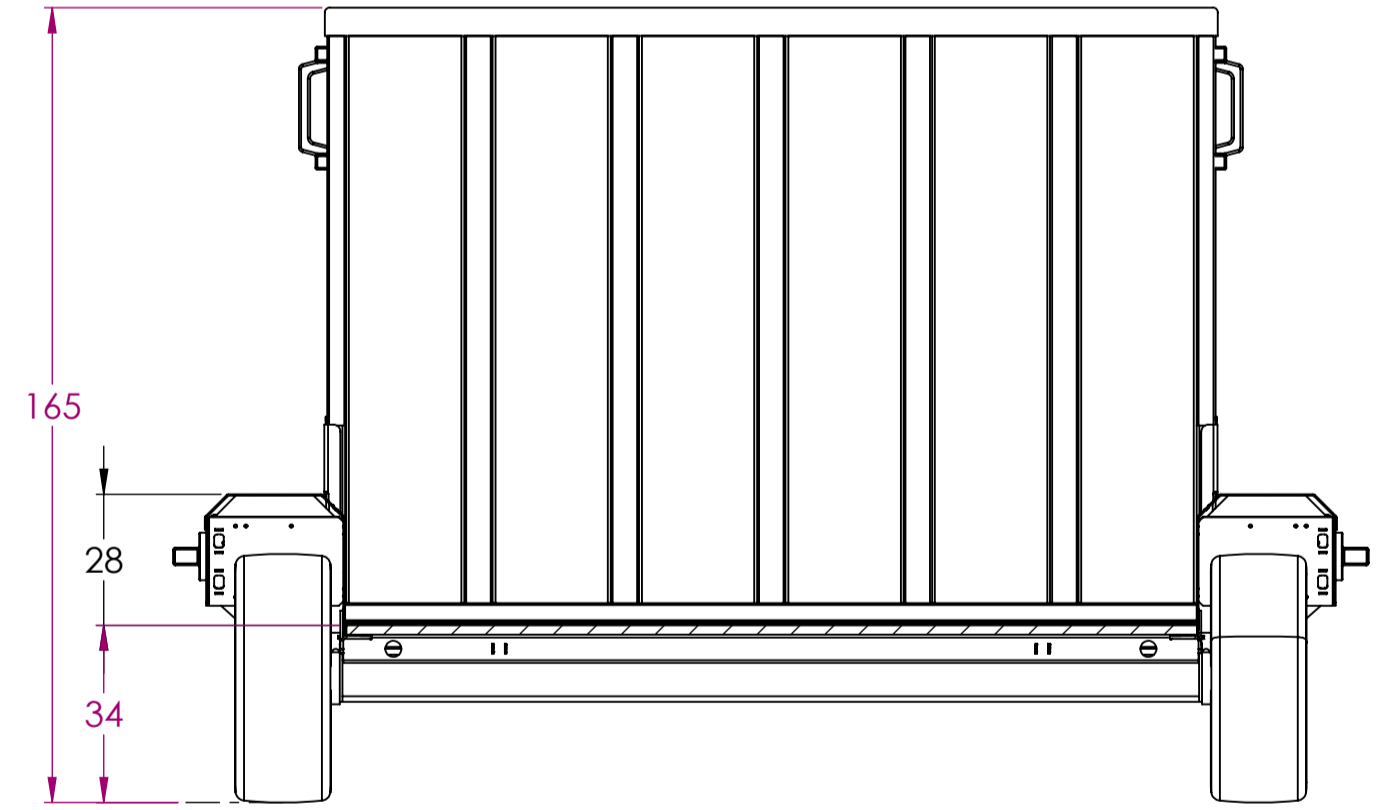
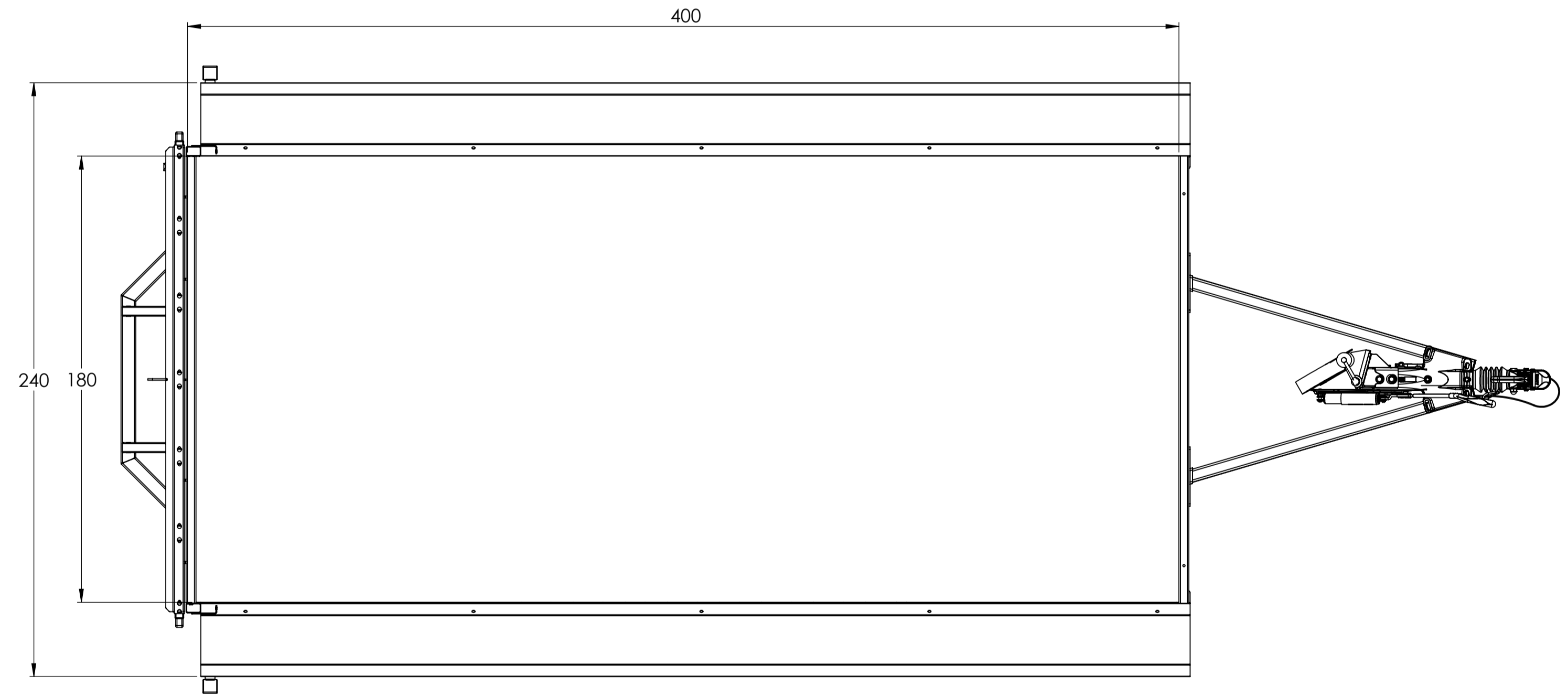
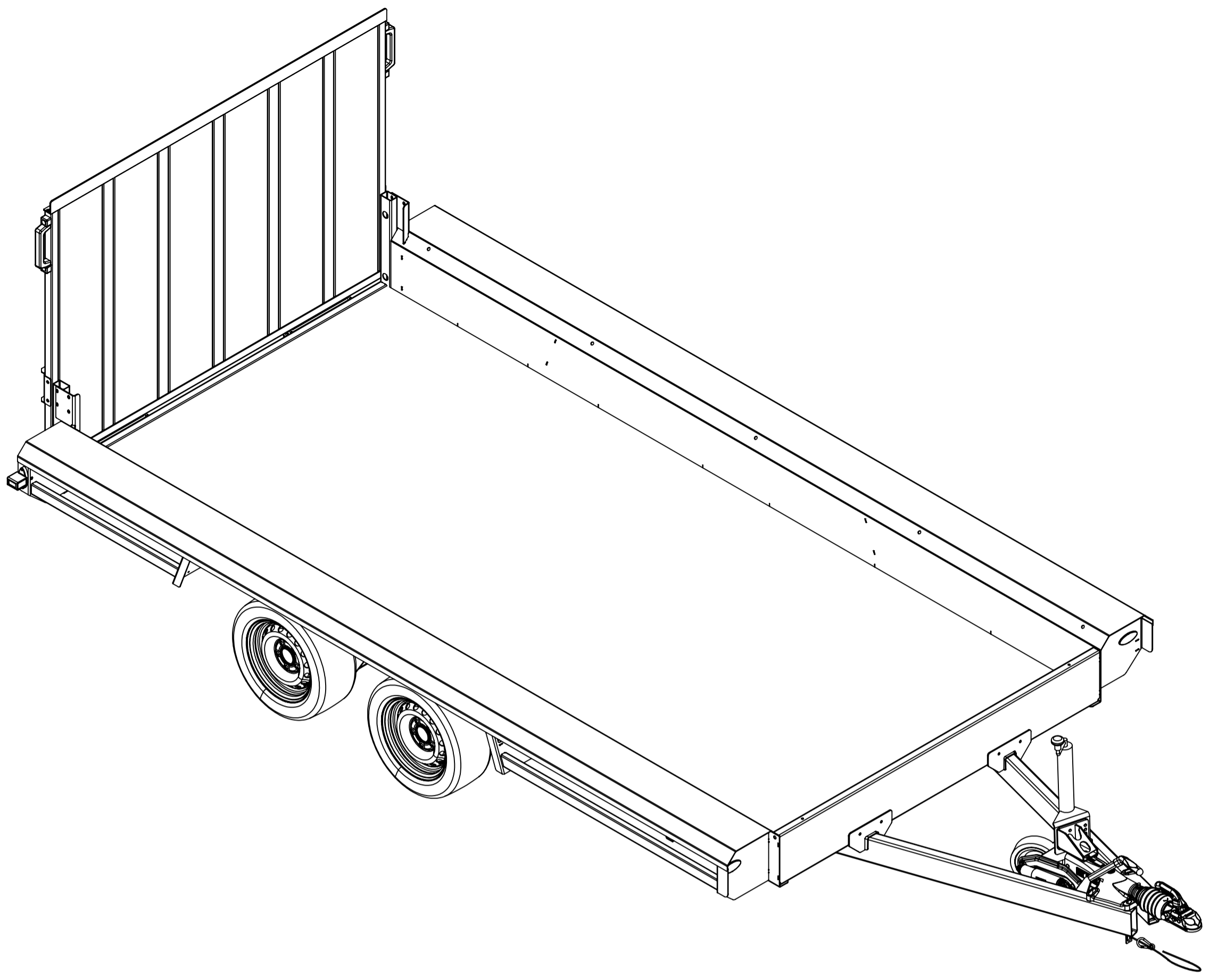
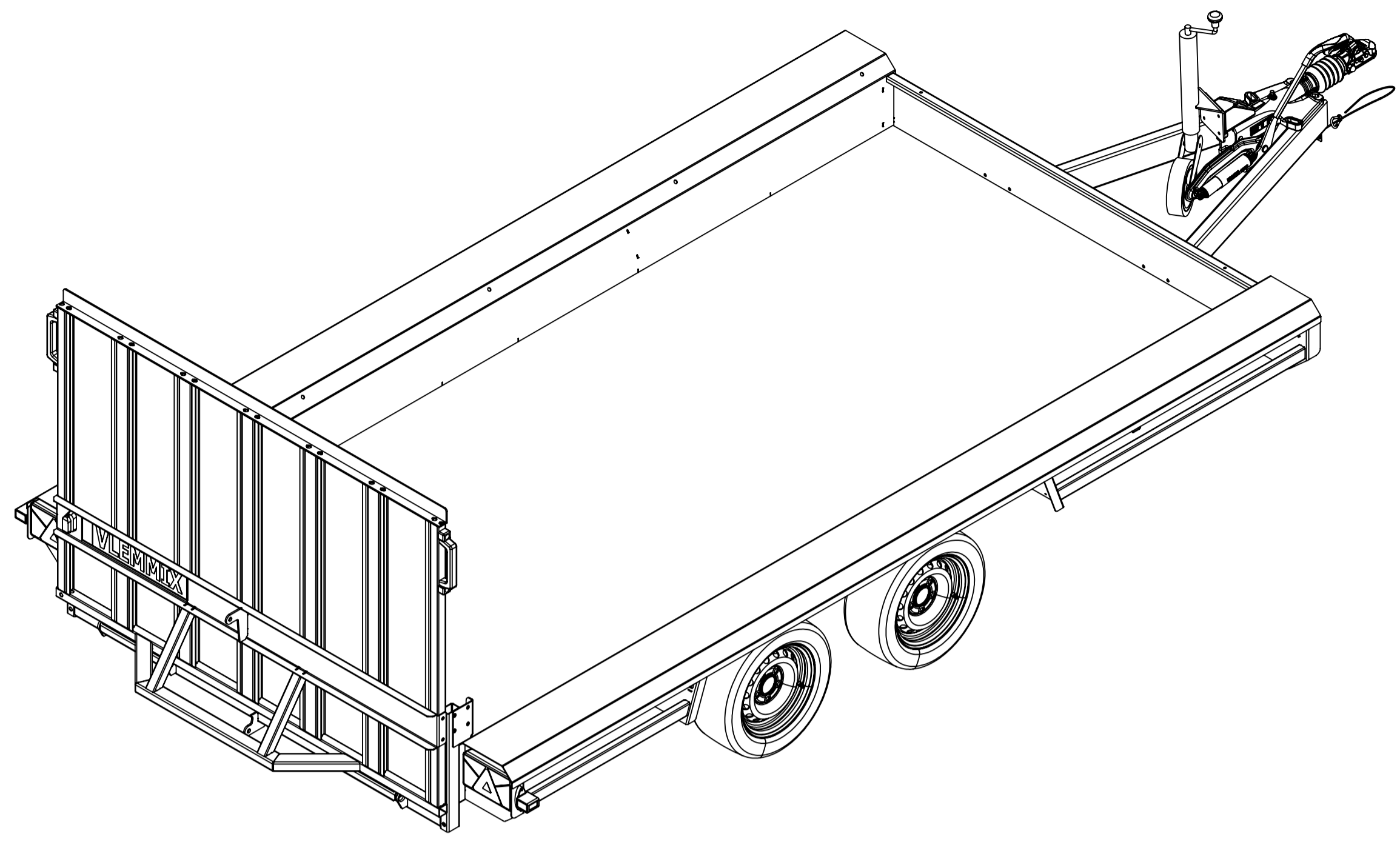
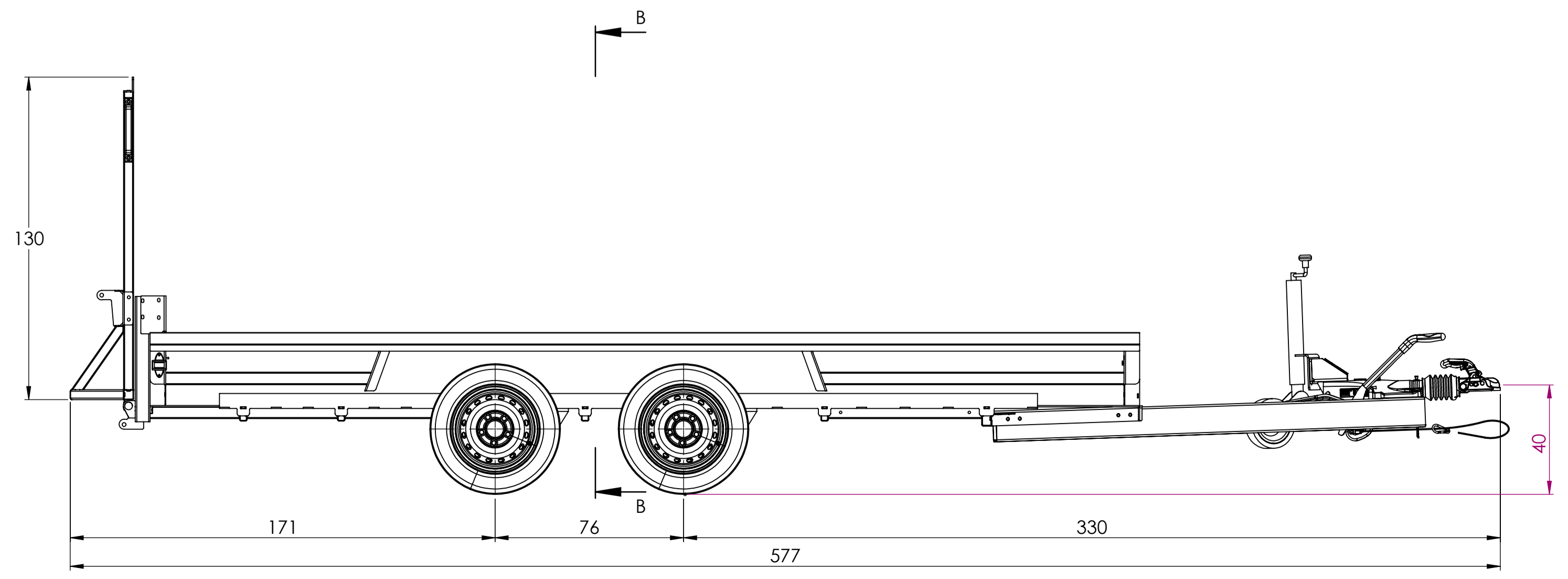


16 15 14 13 12 11 10 9 8 7 6 5 4 3 2 1

M L K J H G F E D C B A



SECTION B-B



©Vlemmix Trailers.  
All rights reserved. This drawing and its contents may not be made accessible and/or duplicated for others without permission.

TOLERANCE:	DRAWN BY: BV
ISO 2768-MK	DATE: 20-5-2026
PROJECTION:	DESCRIPTION:
UNIT: mm	DRAWING NO.:
SCALE: 1:16	REVISION: -



MT4.0\_(1.8m)

SIZE: A1
SHEET: 2/2

16 15 14 13 12 11 10 9 8 7 6 5 4 3 2 1