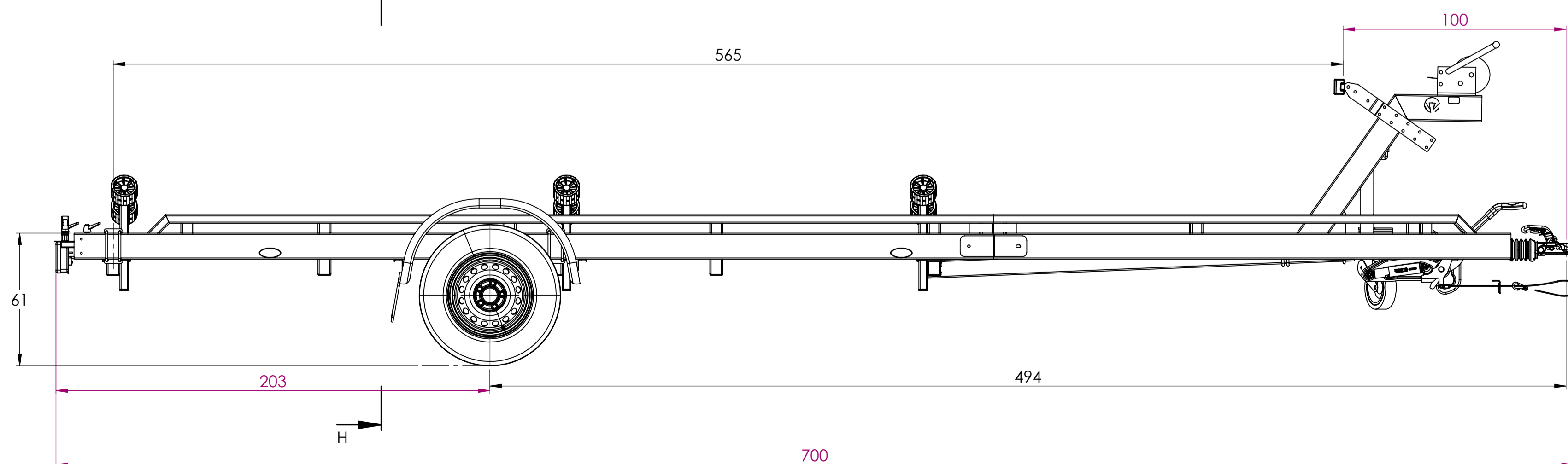


SECTION H-H



BOAT TRAILER 700

1X 1350/1500/1800

©Vlemmix Trailers. All rights reserved. This drawing and its contents may not be made accessible and/or duplicated for others without permission.	
TOLERANCE: ISO 2768-MK	DRAWN BY: BV
PROJECTION:	DATE: 6-5-2026
UNIT: mm	SCALE: 1:16



DESCRIPTION: BOOTTRAILER 7.0 M		REVISION: -	SIZE: A1
DRAWING NO.: BT-7.0		SHEET: 7/10	