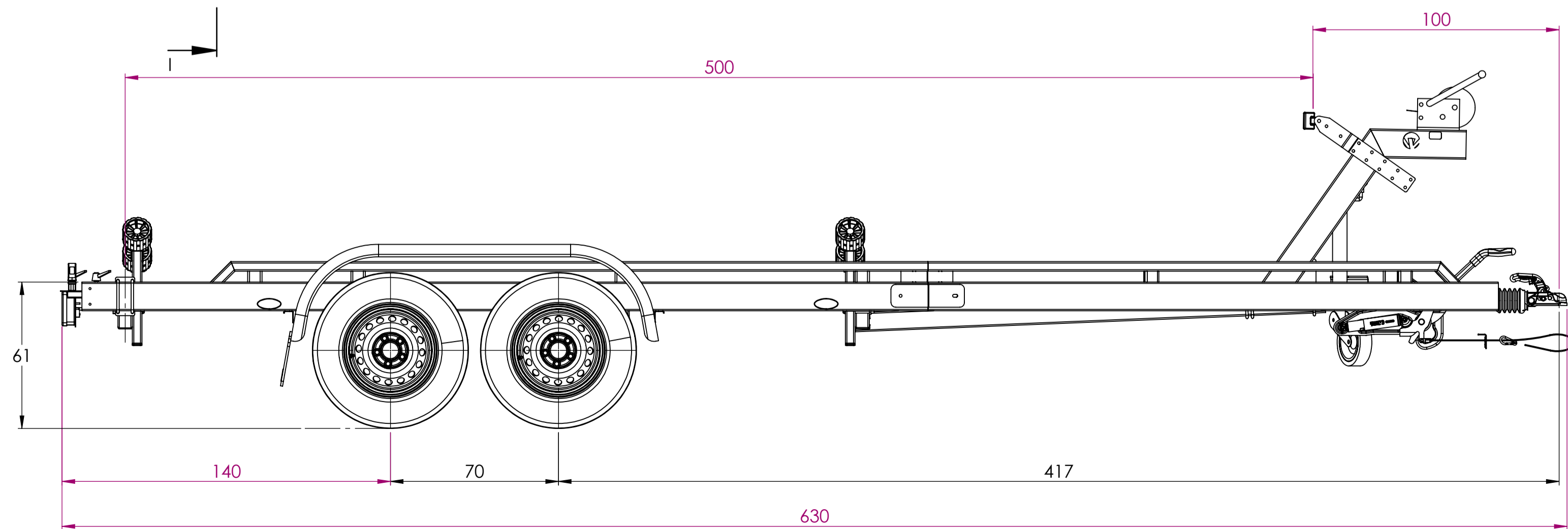


SECTION I-I



BOATTRAILER 630 MR

2x 1350/1500/1800 kg

| | |
|--|----------------|
| ©Vlemmix Trailers. All rights reserved. This drawing and its contents may not be made accessible and/or duplicated for others without permission. | |
| TOLERANCE: ISO 2768-MK | DRAWN BY: BV |
| PROJECTION: | DATE: 6-5-2026 |
| UNIT: mm | DRAWING NO.: |
| SCALE: 1:16 | DESCRIPTION: |



| | | |
|-----------|-------------|-------------|
| BT-6.3-MR | REVISION: - | SIZE: A1 |
| | | SHEET: 1/10 |