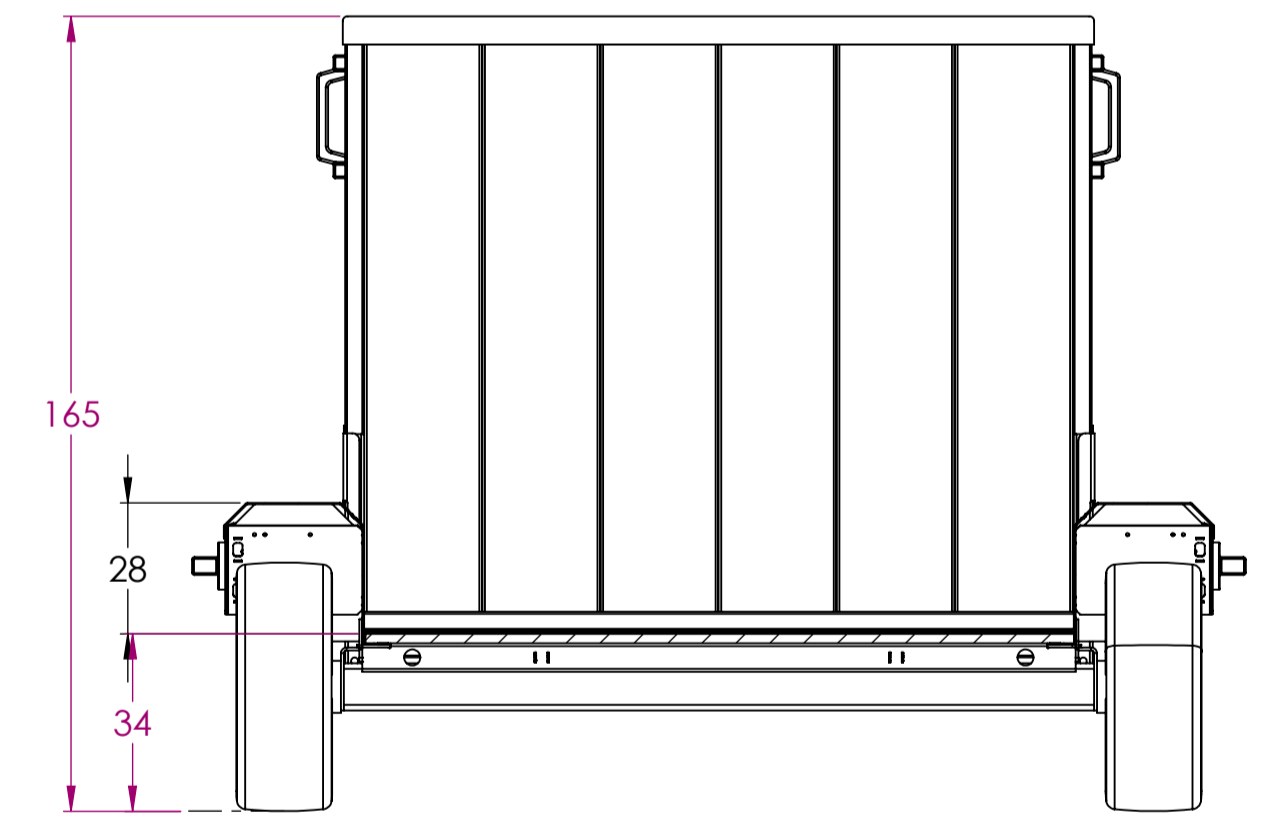
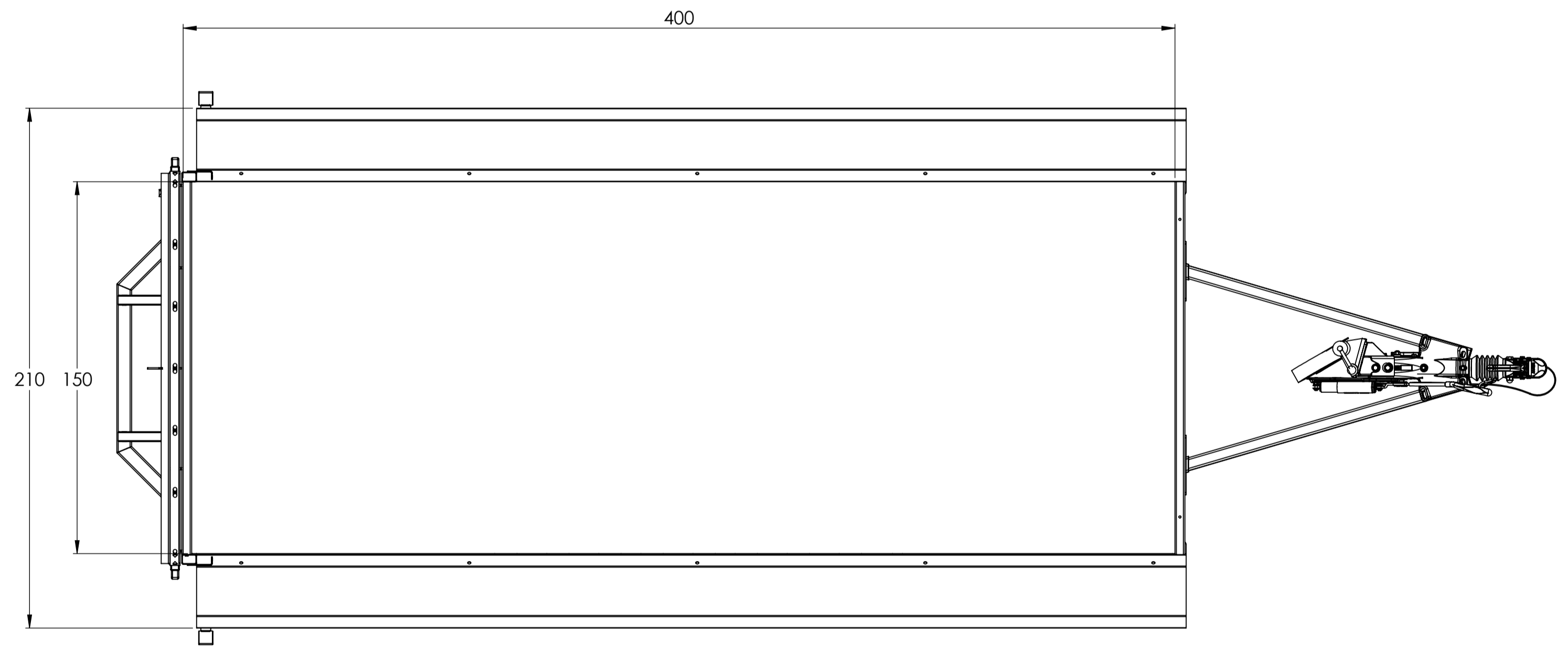
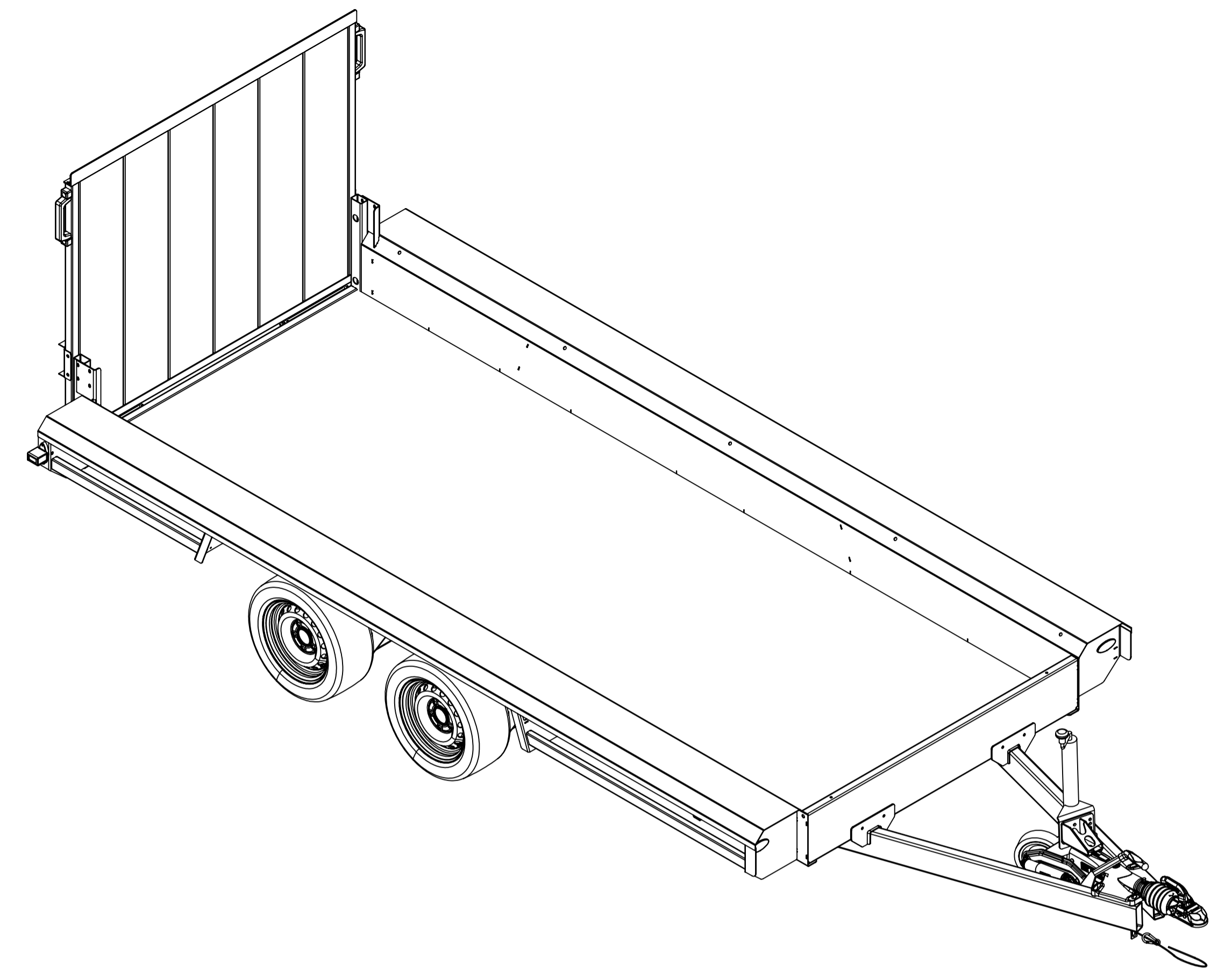
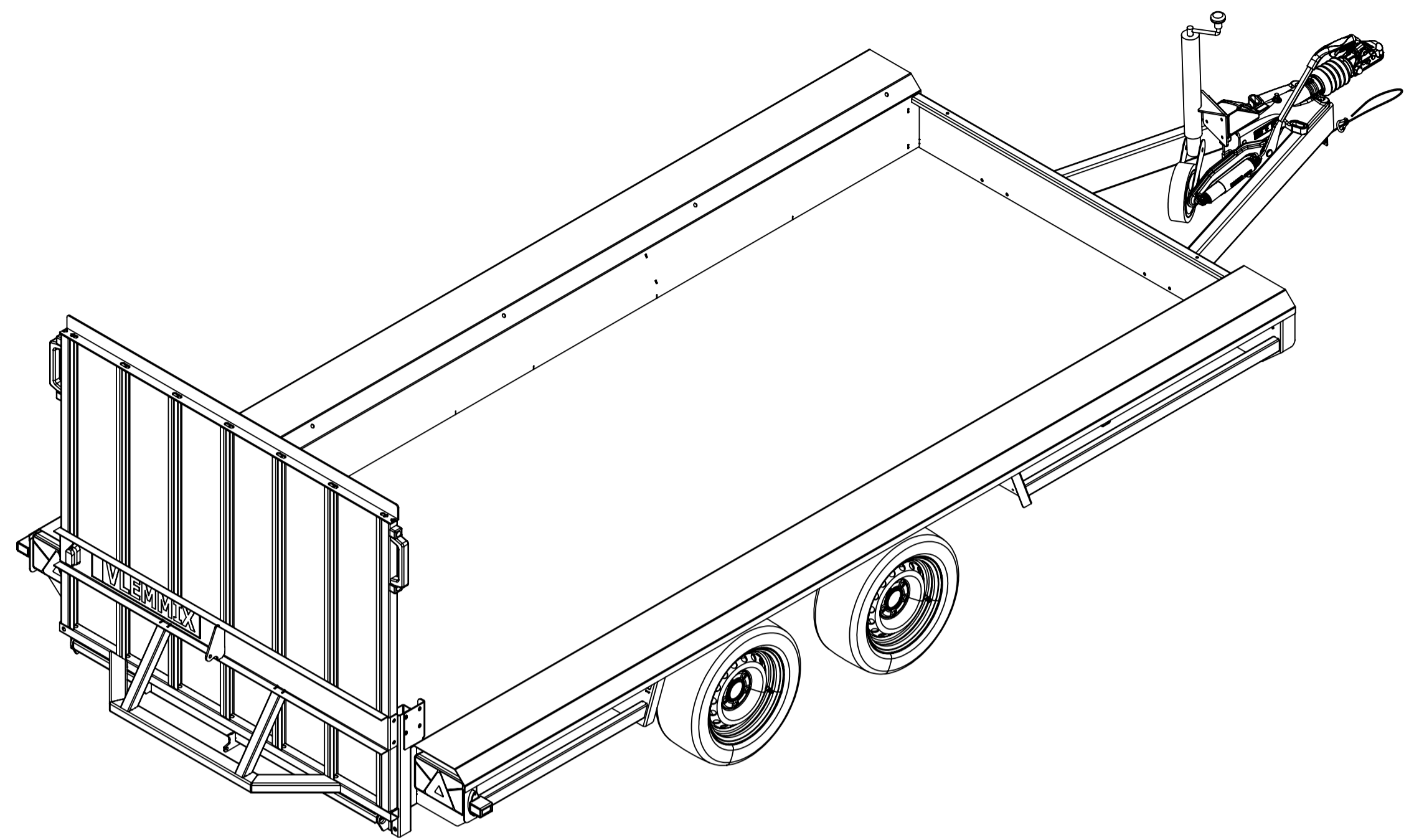
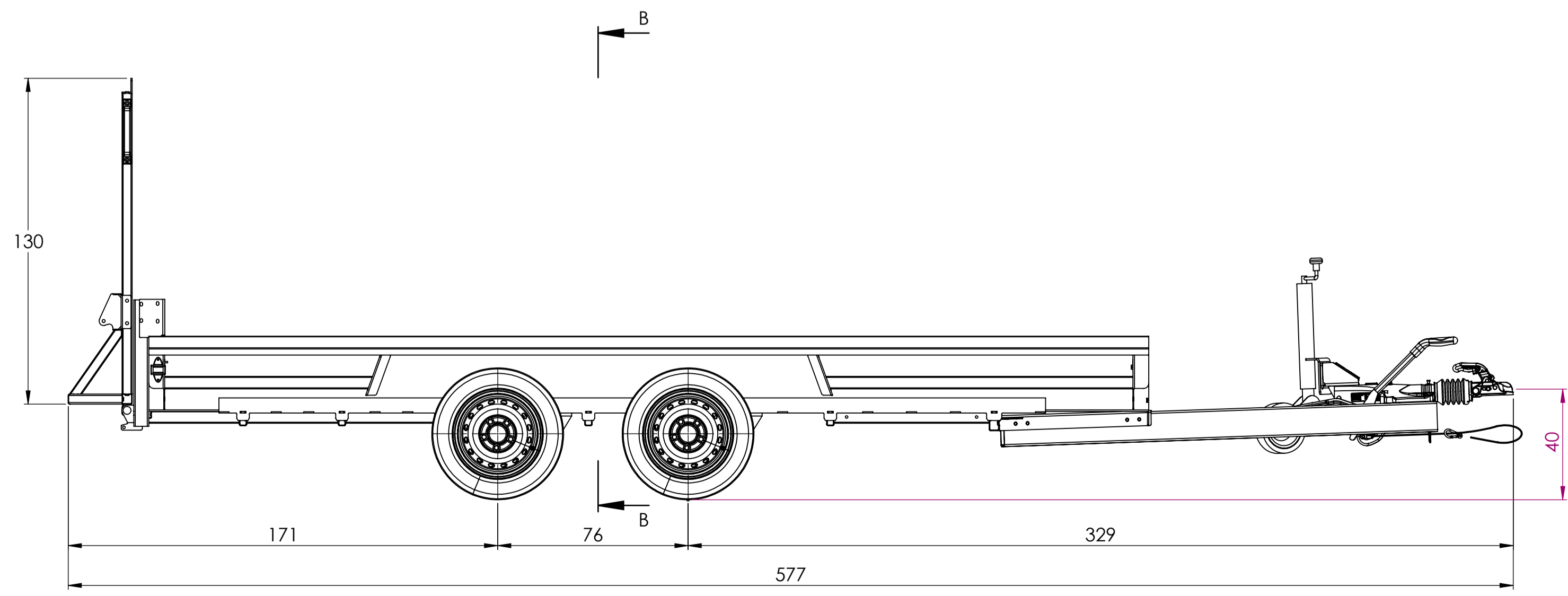


16 15 14 13 12 11 10 9 8 7 6 5 4 3 2 1

M L K J H G F E D C B A



SECTION B-B



| | |
|---|-----------------|
| ©Vlemmix Trailers. All rights reserved. This drawing and its contents may not be made accessible and/or duplicated for others without permission. | |
| TOLERANCE: ISO 2768-MK | DRAWN BY: BV |
| PROJECTION: | DATE: 20-5-2026 |
| UNIT: mm | DESCRIPTION: |
| SCALE: 1:16 | DRAWING NO.: |



MT4.0_(1.5m)

| | |
|-------------|------------|
| REVISION: - | SIZE: A1 |
| | SHEET: 2/2 |

16 15 14 13 12 11 10 9 8 7 6 5 4 3 2 1