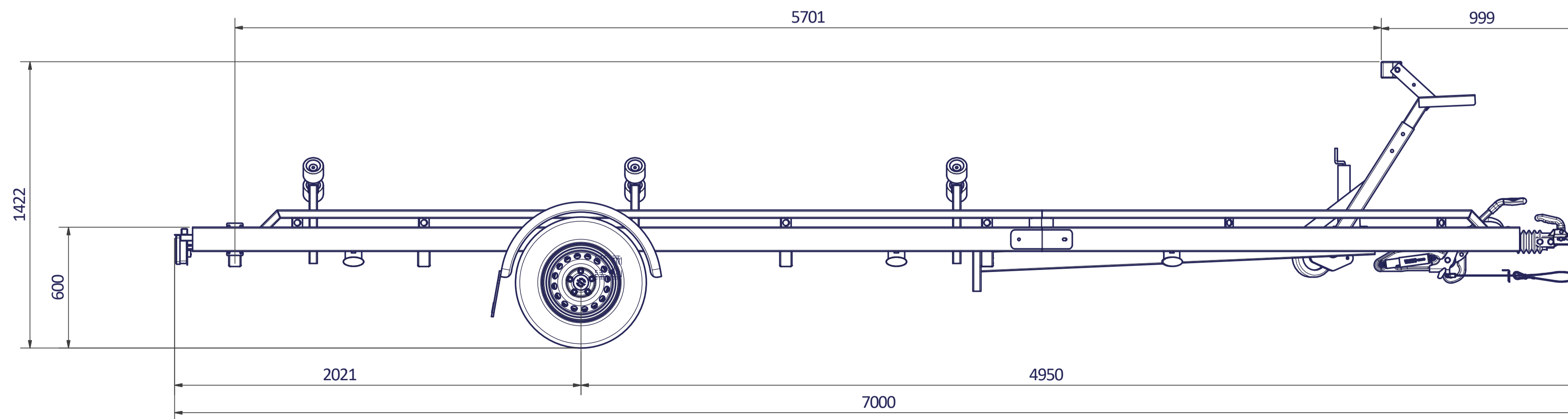
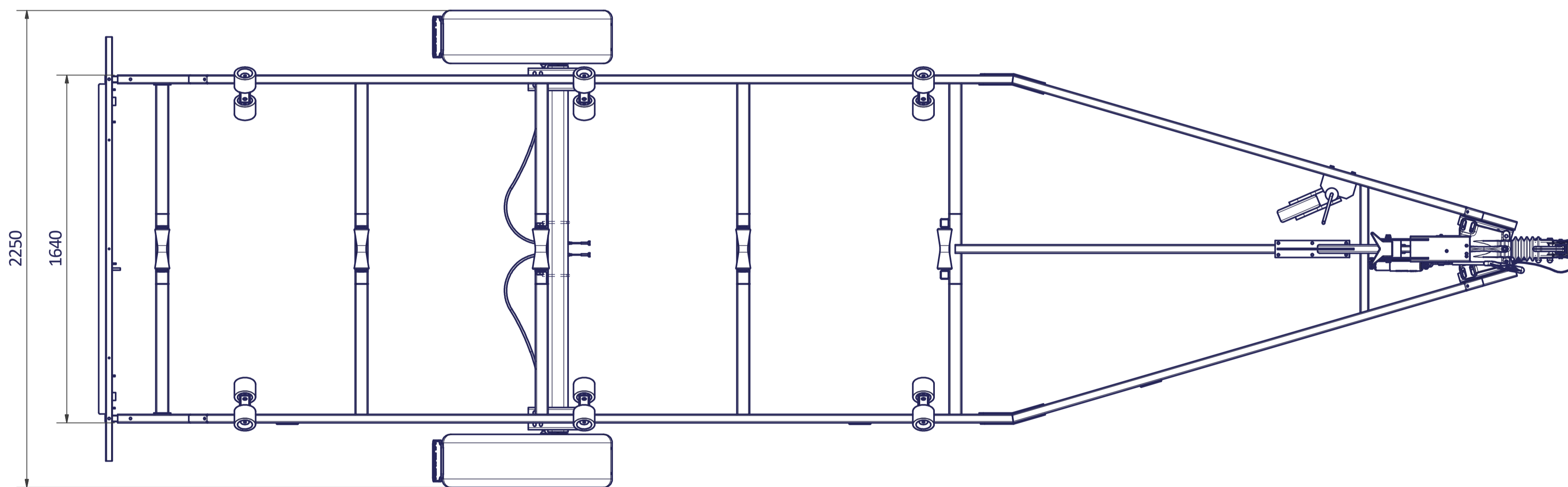
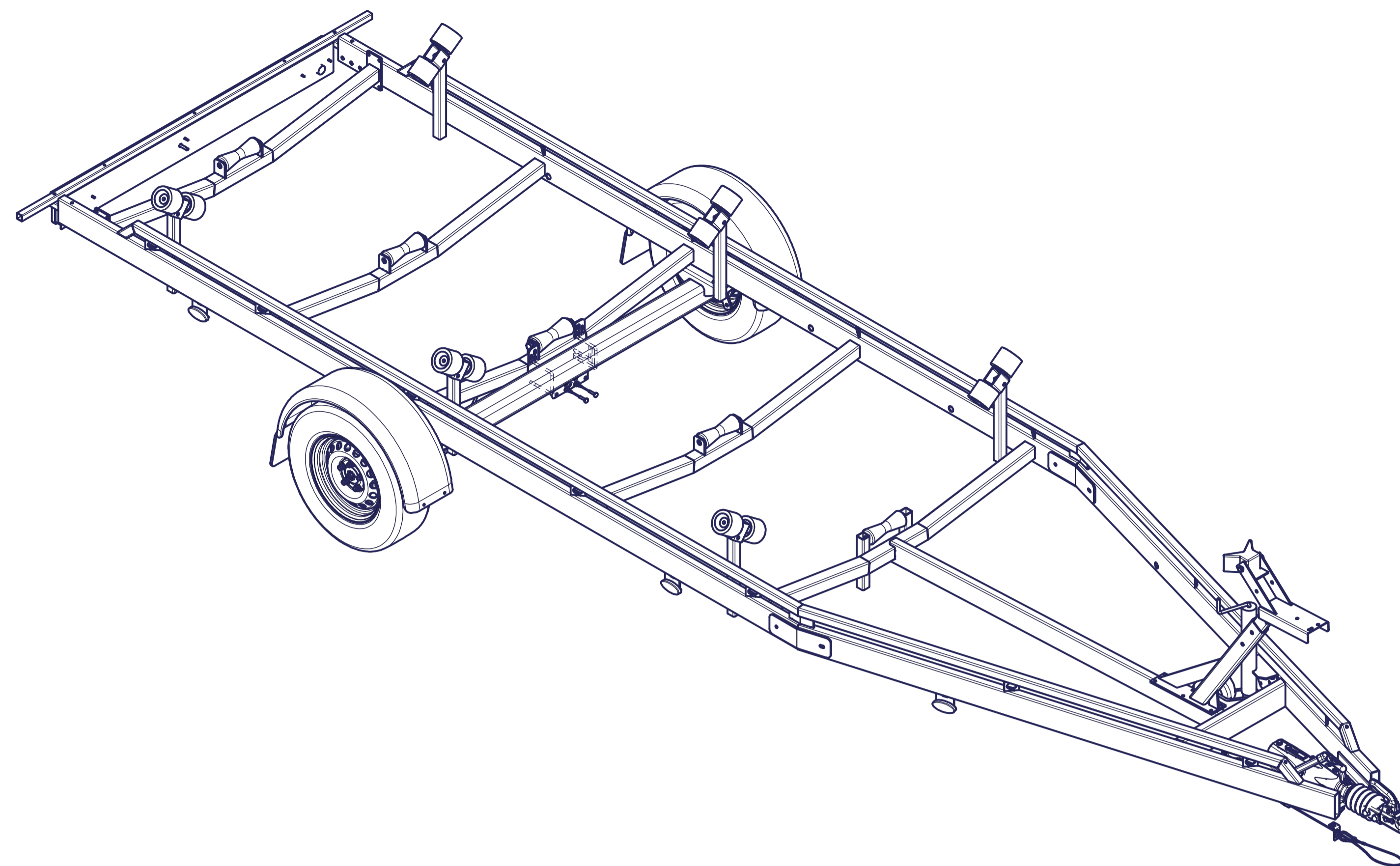
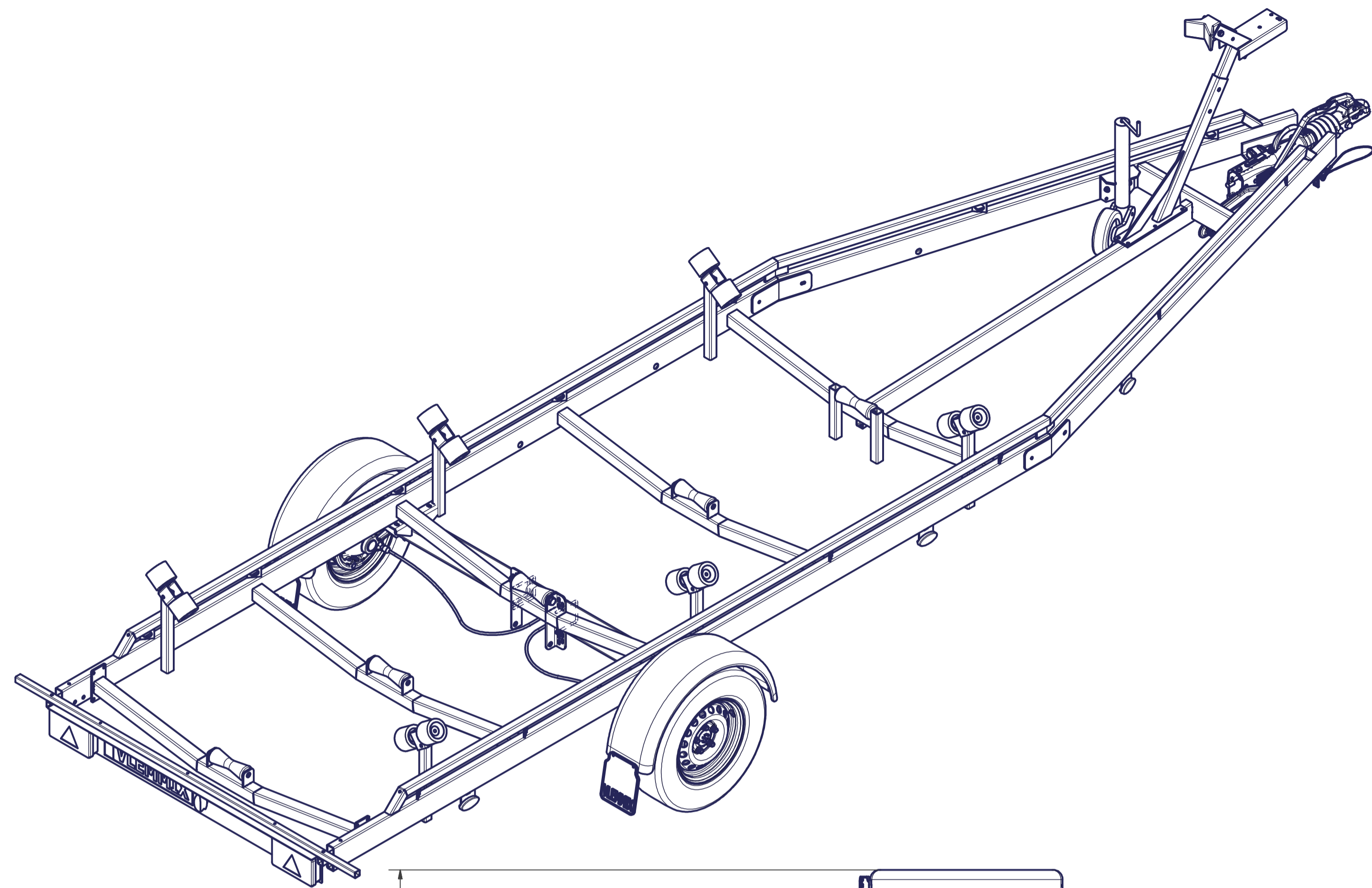


12 11 10 9 8 7 6 5 4 3 2 1

H
G
F
E
D
C
B
A



BOOTTRAILER 700

Surface treatment:		© VLEMMIX AANHANGWAGENS This drawing and its contents may not be made accessible and/or duplicated for others without permission. All rights reserved.	
QTY:	UNIT:	DRAWN BY:	J.H.
TOLERANCE:	mm	DATE:	19-5-2020
ISO 2768-MK		PROJECT/DRAWING NO.: 3374_BOOT TRAILER	
SCALE:	DESCRIPTION:	SHEET:	6
1:18		SHEETS:	8

A1

12 11 10 9 8 7 6 5 4 3 2 1